



Safety Instructions



0,1,4,6,7,8,9,11,15,
18,20,22,26,27

Info Hotline

+49 (0) 5041 998 389

Mon. - Do. 7⁰⁰ - 20⁰⁰

Fr. 7⁰⁰ - 17⁰⁰



Paulmann Licht GmbH
31832 Springe / Germany
www.paulmann.com

Art.-Nr.:

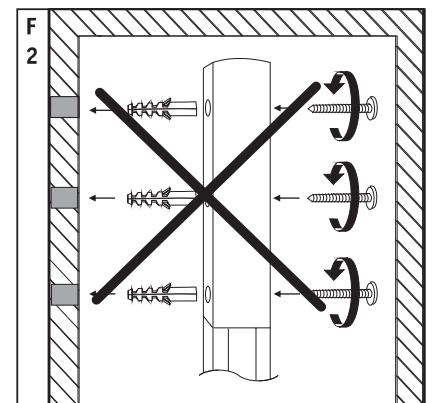
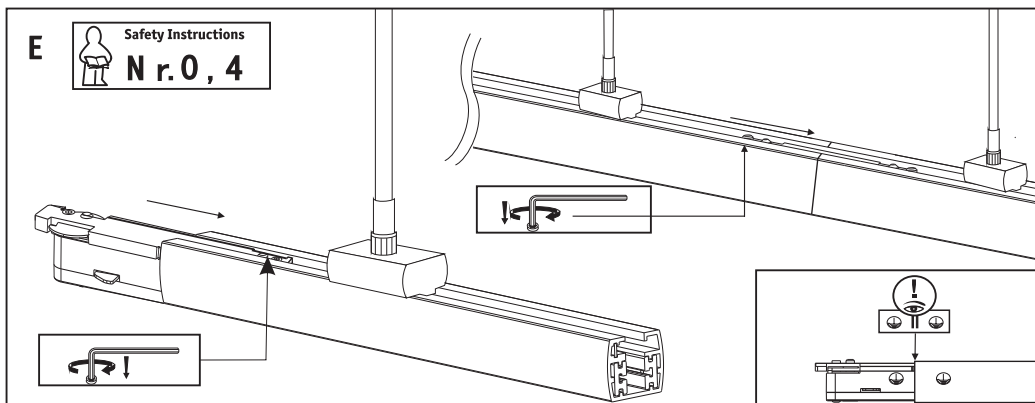
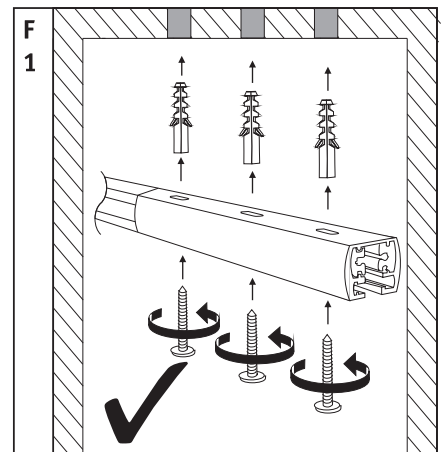
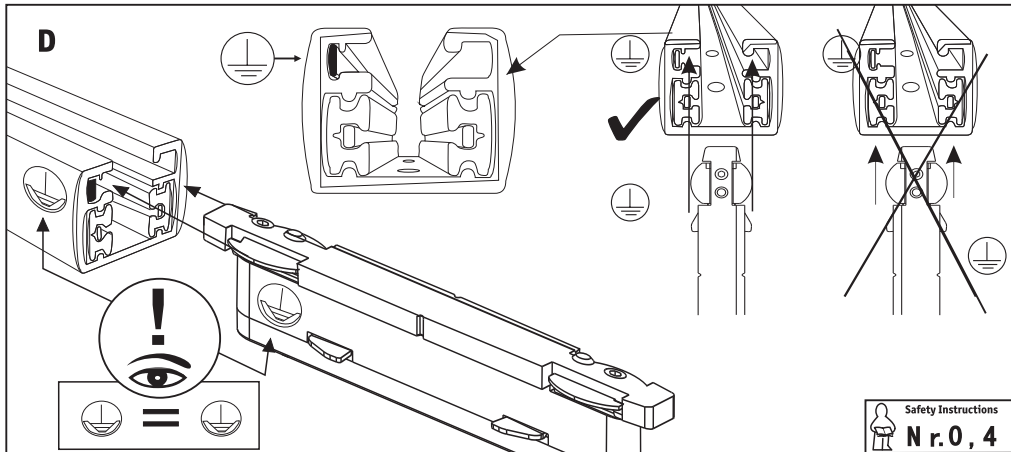
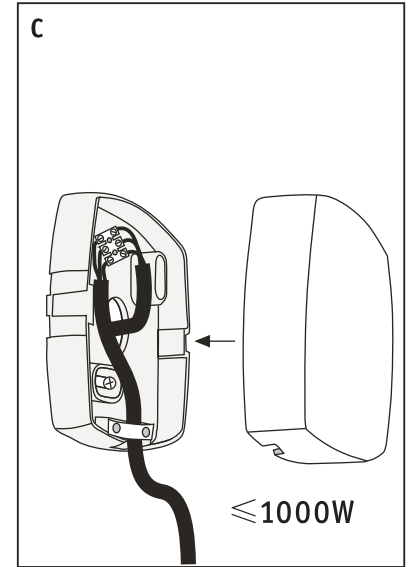
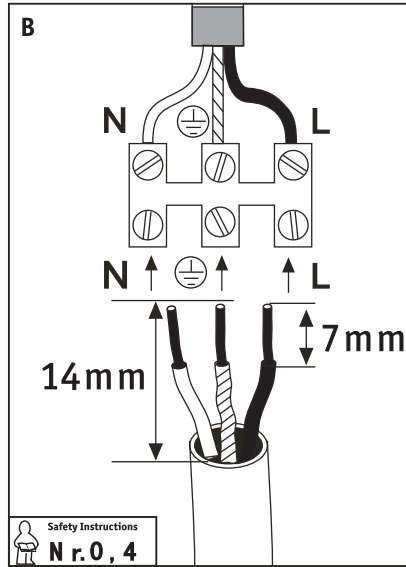
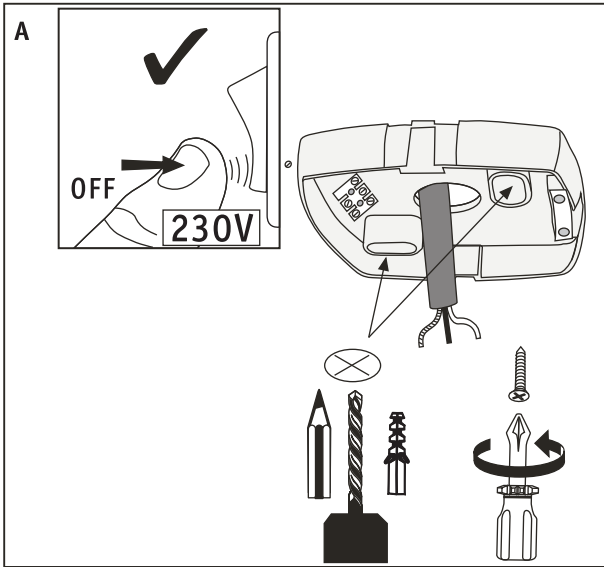
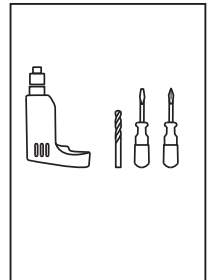
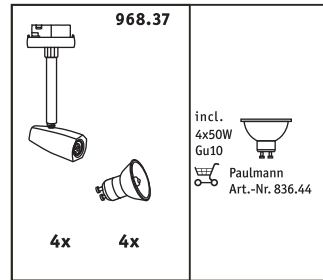
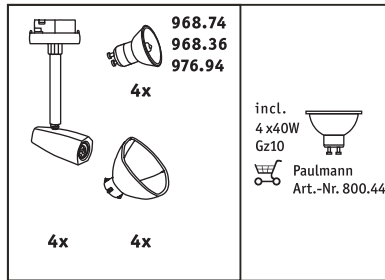
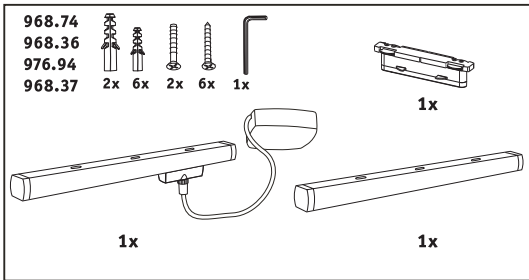
968.74

968.36

976.94

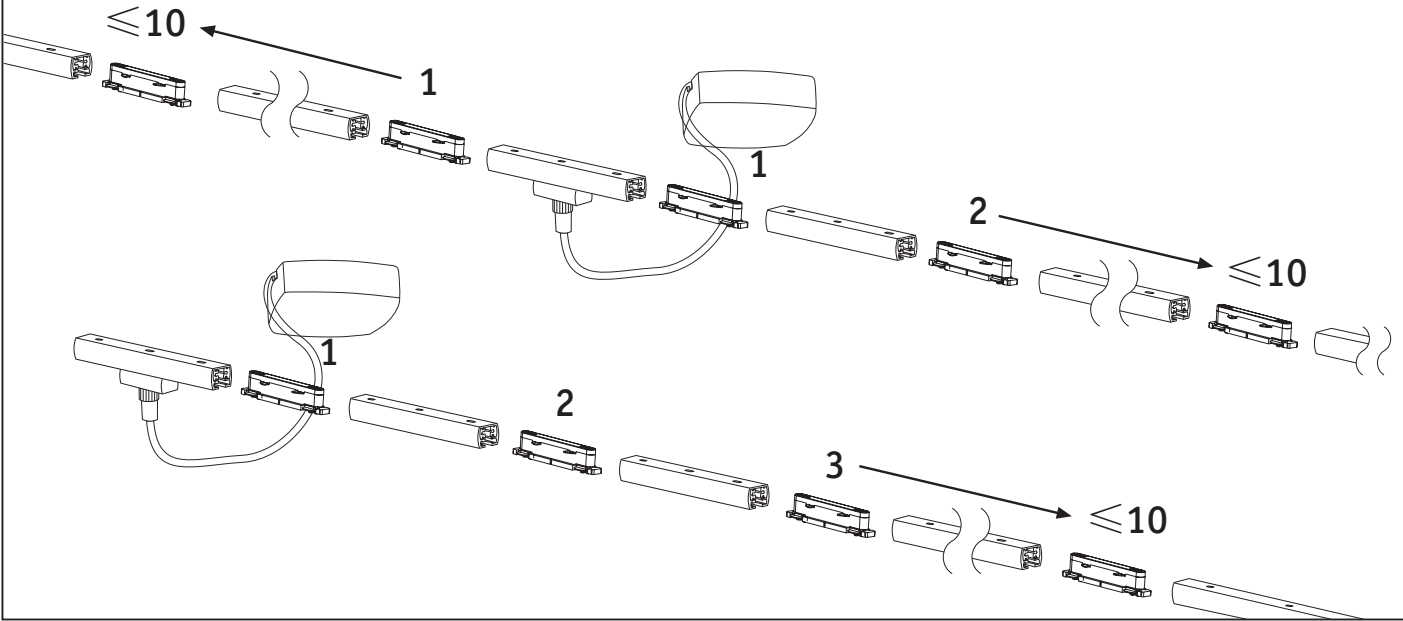
968.37

(+MA 173)

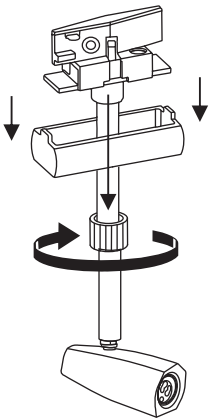


G

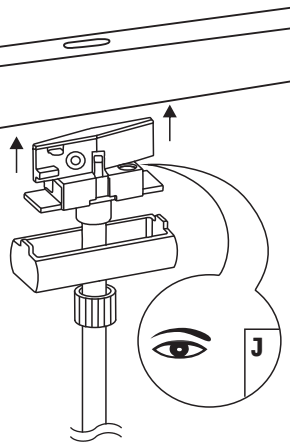
≲ 1000W



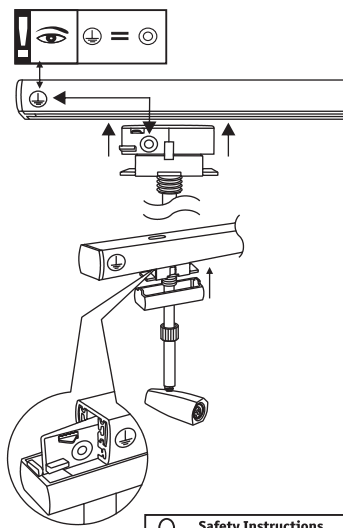
H



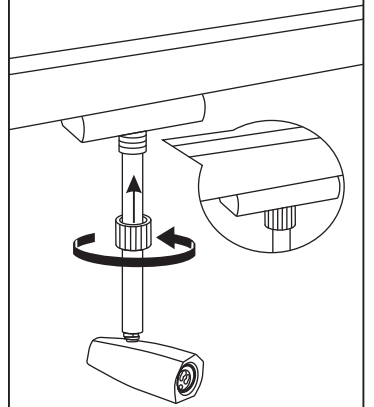
I



J



K



L

Safety Instructions
Nr. 7,8

968.74
968.36
976.94

968.37

