


Safety Instructions



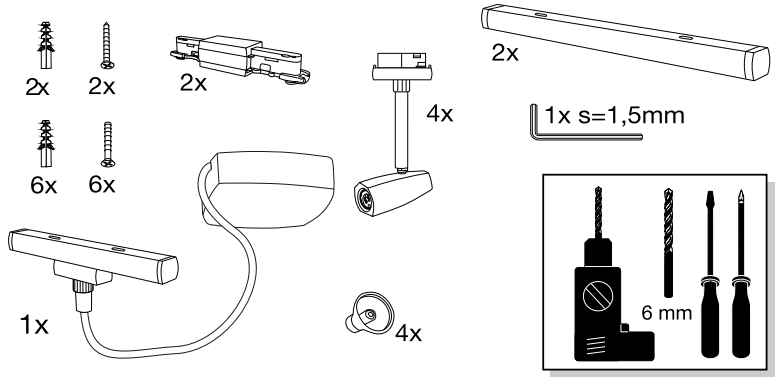
0, 1, 2, 4, 6, 7, 8, 9, 11, 15, 18, 20, 22, 23, 26, 27.

Paulmann Licht GmbH
Quezinger Feld 2
D-31832 Springe
www.paulmann.com

INFO-LINE +49 (0) 5041 998 389

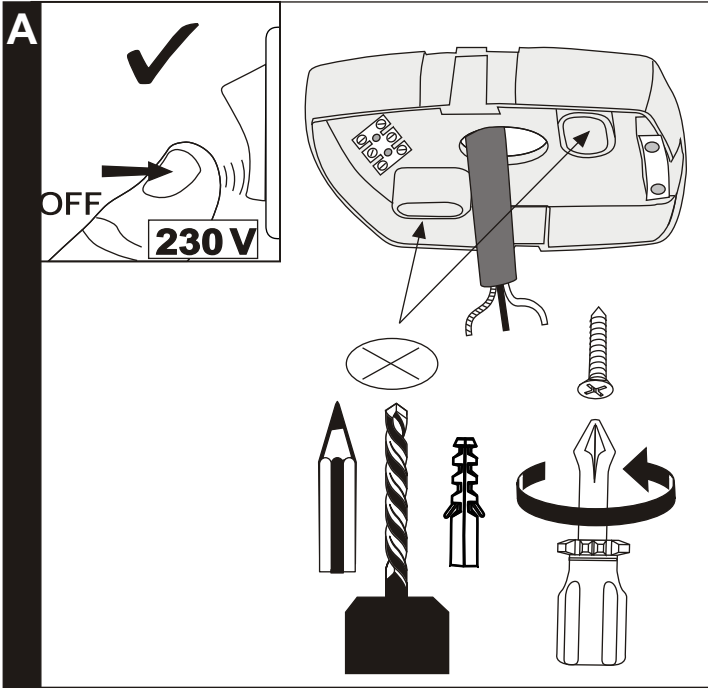
Mon.-Do. ☎ 7⁰⁰-20⁰⁰ ☎
Fr. ☎ 7⁰⁰-17⁰⁰ ☎





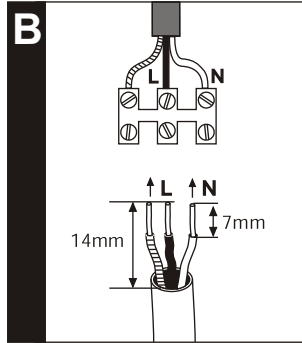
2x 2x 2x 4x 2x
6x 6x 1x s=1,5mm
1x 4x
6 mm

A



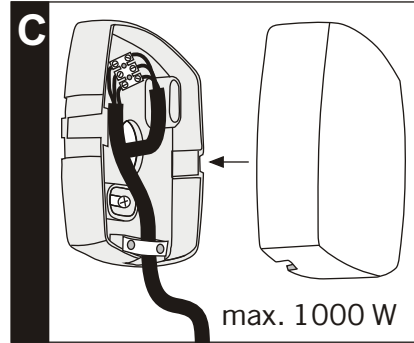
✓
OFF 230 V

B



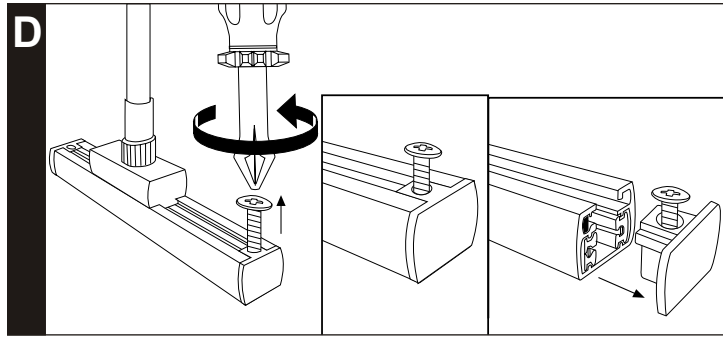
L N
14mm 7mm

C

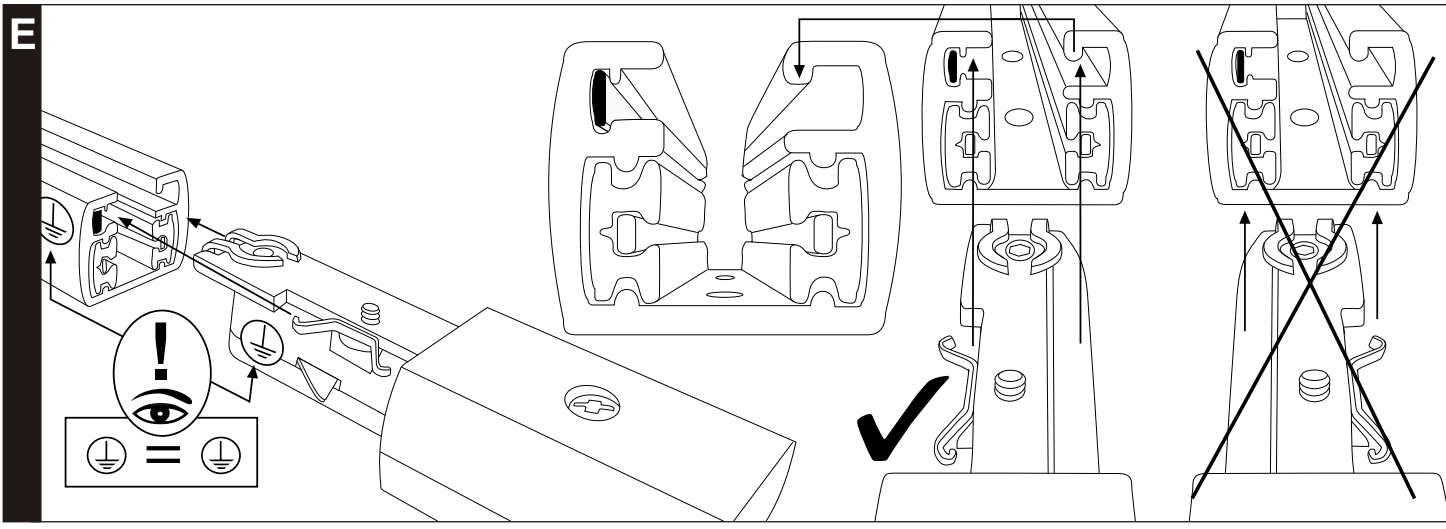


max. 1000 W

D

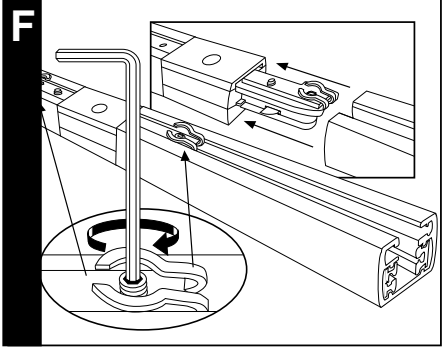


E

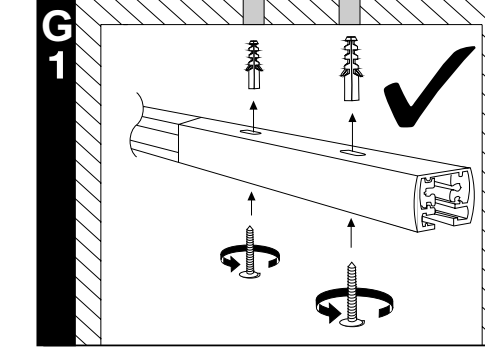


! ⚡

F

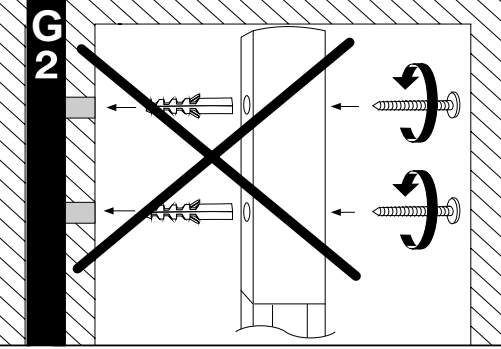


G 1



✓

G 2



✗

