


**Safety Instructions**

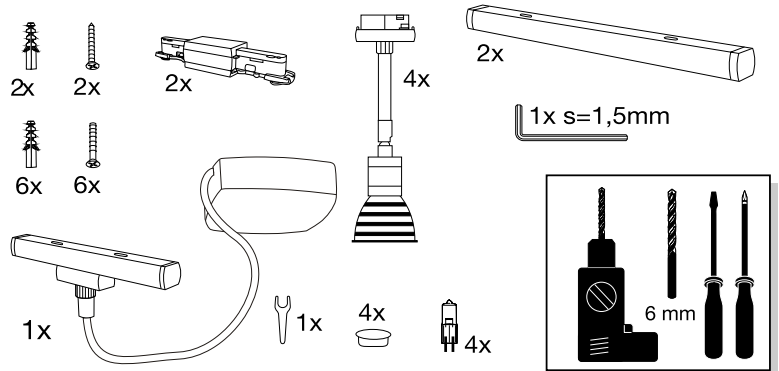


0, 1, 2, 4, 6, 7, 8, 9, 11, 15, 18, 20, 22, 23, 26, 27.

**Paulmann Licht GmbH**  
Quezinger Feld 2  
D-31832 Springe  
[www.paulmann.com](http://www.paulmann.com)

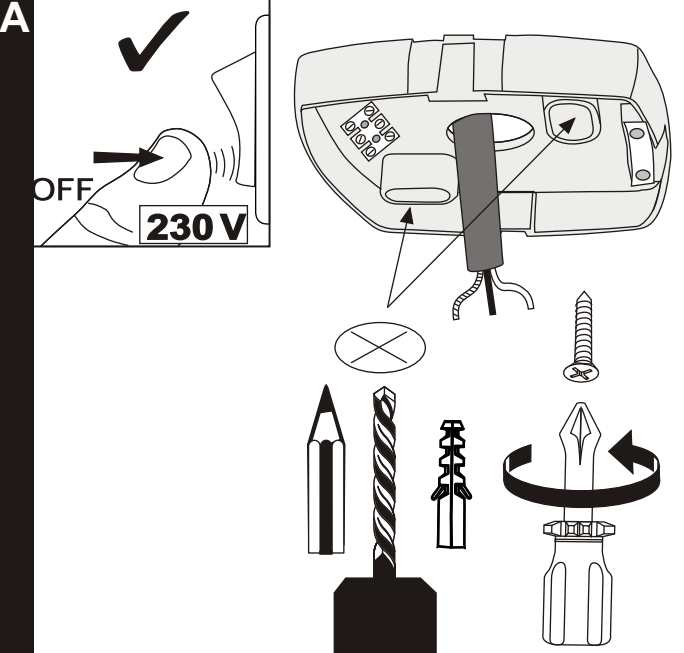
**INFO-LINE** +49 (0) 5041 998 389

Mon.-Do. 7<sup>00</sup>-20<sup>00</sup>  
Fr. 7<sup>00</sup>-17<sup>00</sup>

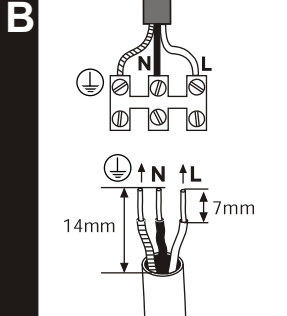
2x 2x 2x 4x 2x  
6x 6x 1x s=1,5mm  
1x 1x 4x 4x  
6 mm

**A**



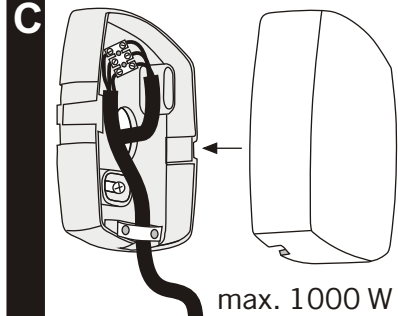
✓  
OFF 230 V

**B**



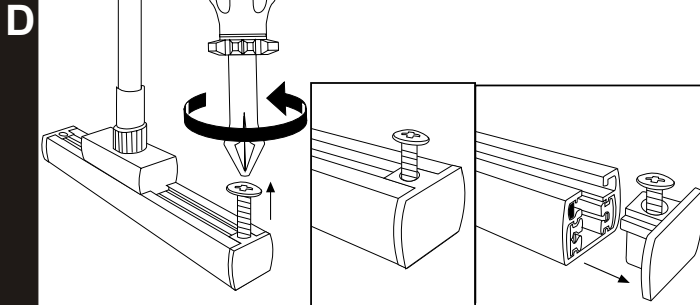
N L  
N L  
14mm 7mm

**C**

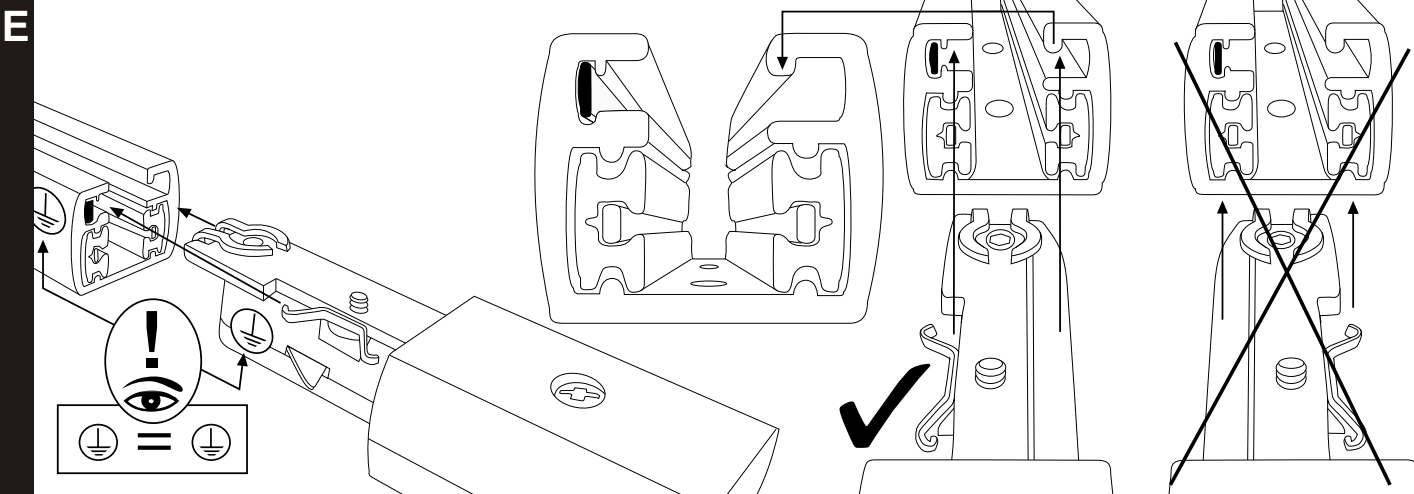


max. 1000 W

**D**

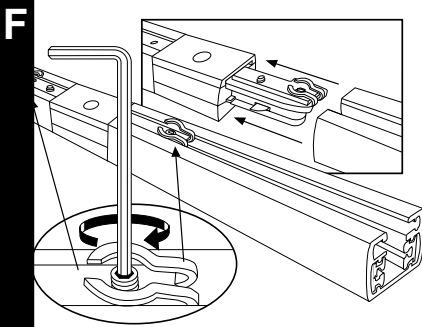


**E**

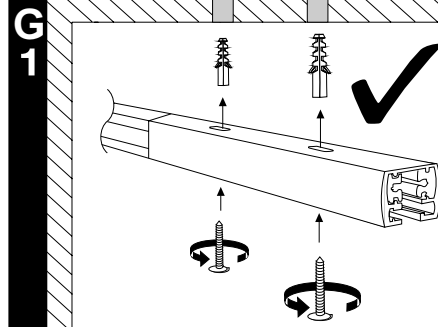


!

**F**

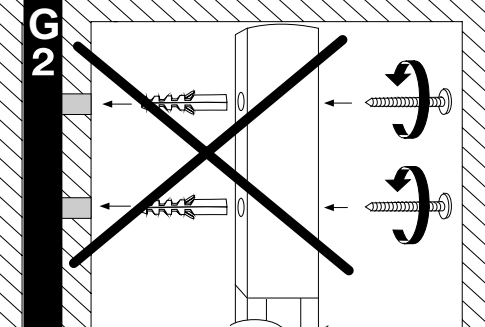


**G 1**



✓

**G 2**



✗

