

Safety Instructions



0,1, 2, 3, 4, 6, 7, 8, 9,10,
11,12,14,15,16,17,18,19,
20,21,22,23,24,25,26,27



Info Hotline

+49 (0) 5041 998 389

Mon. - Do. 7⁰⁰ - 20⁰⁰

Fr. 7⁰⁰ - 17⁰⁰

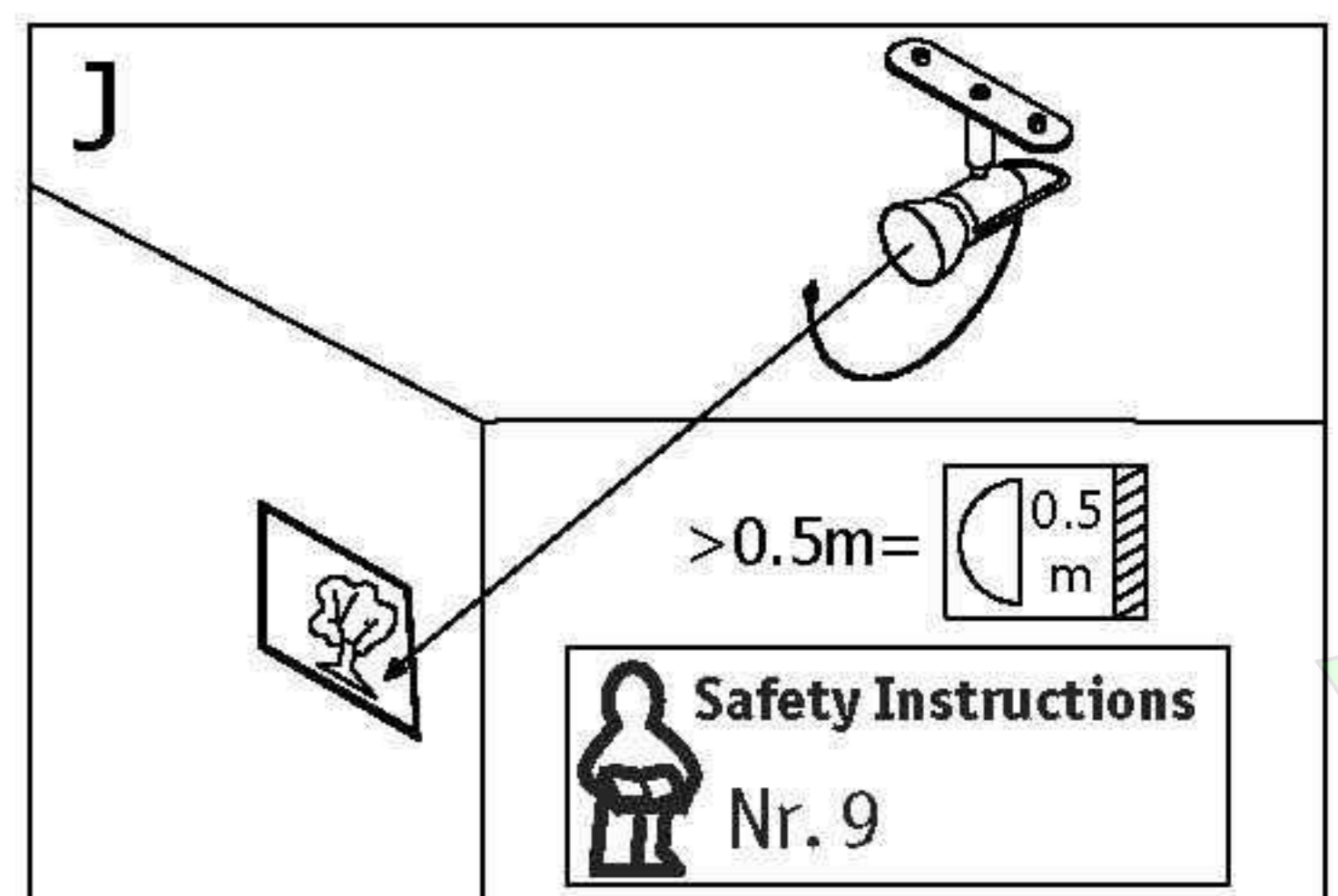
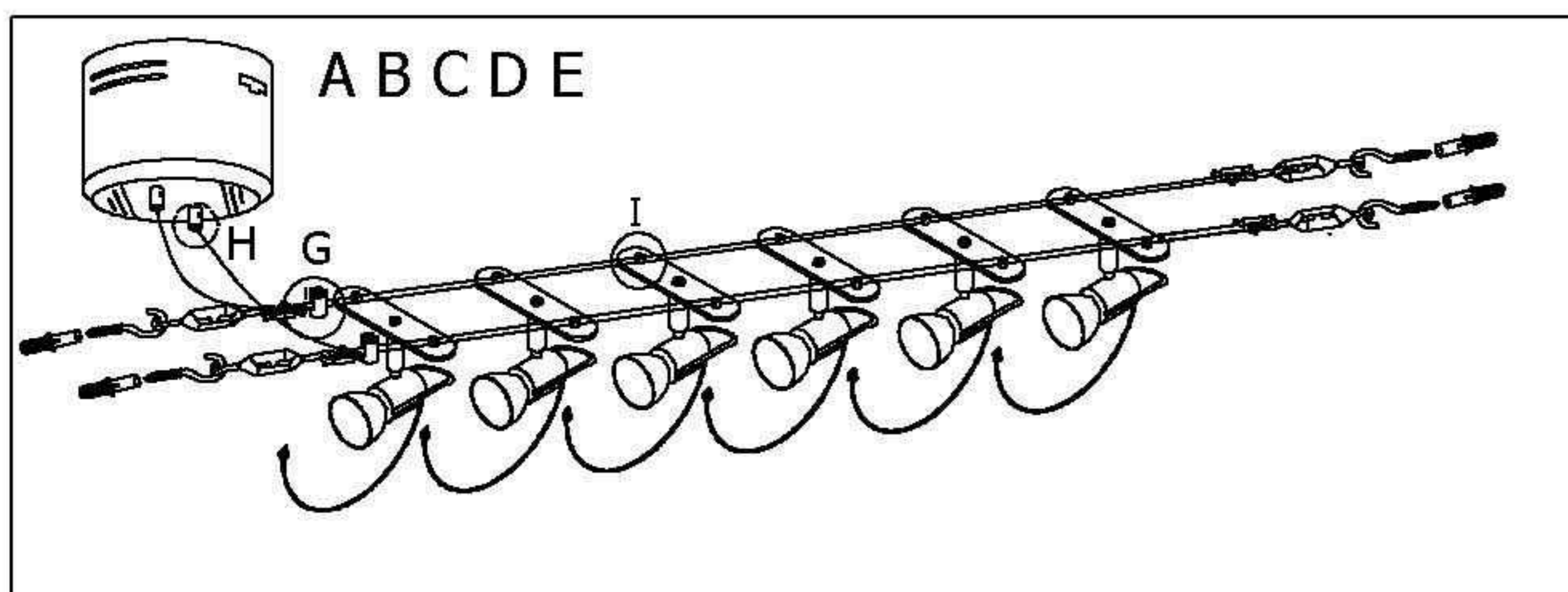
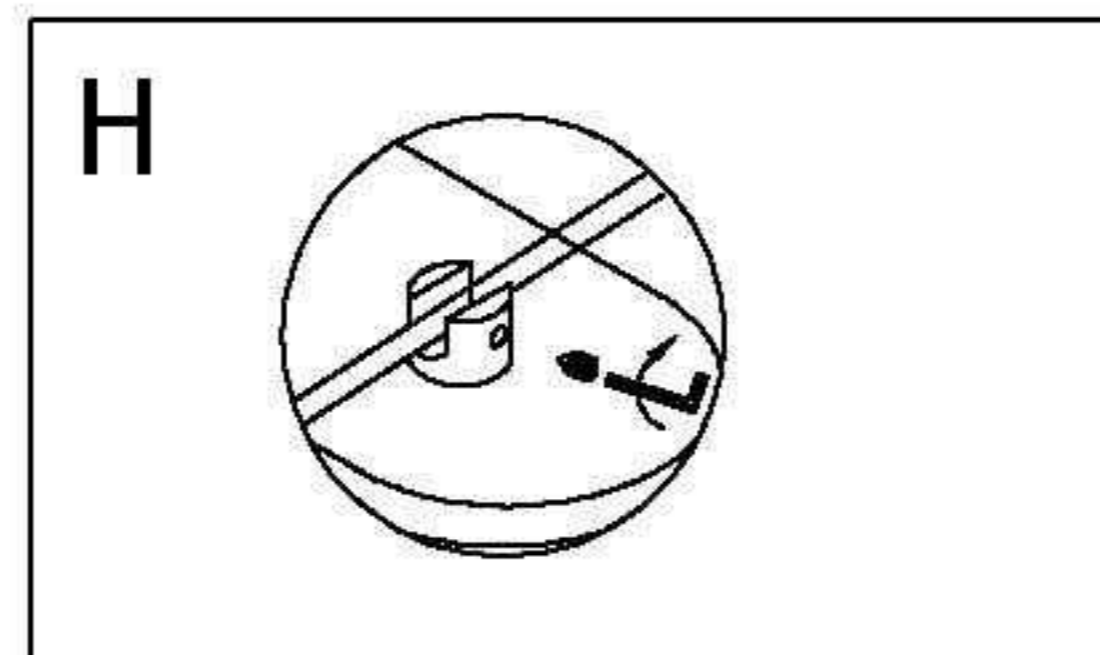
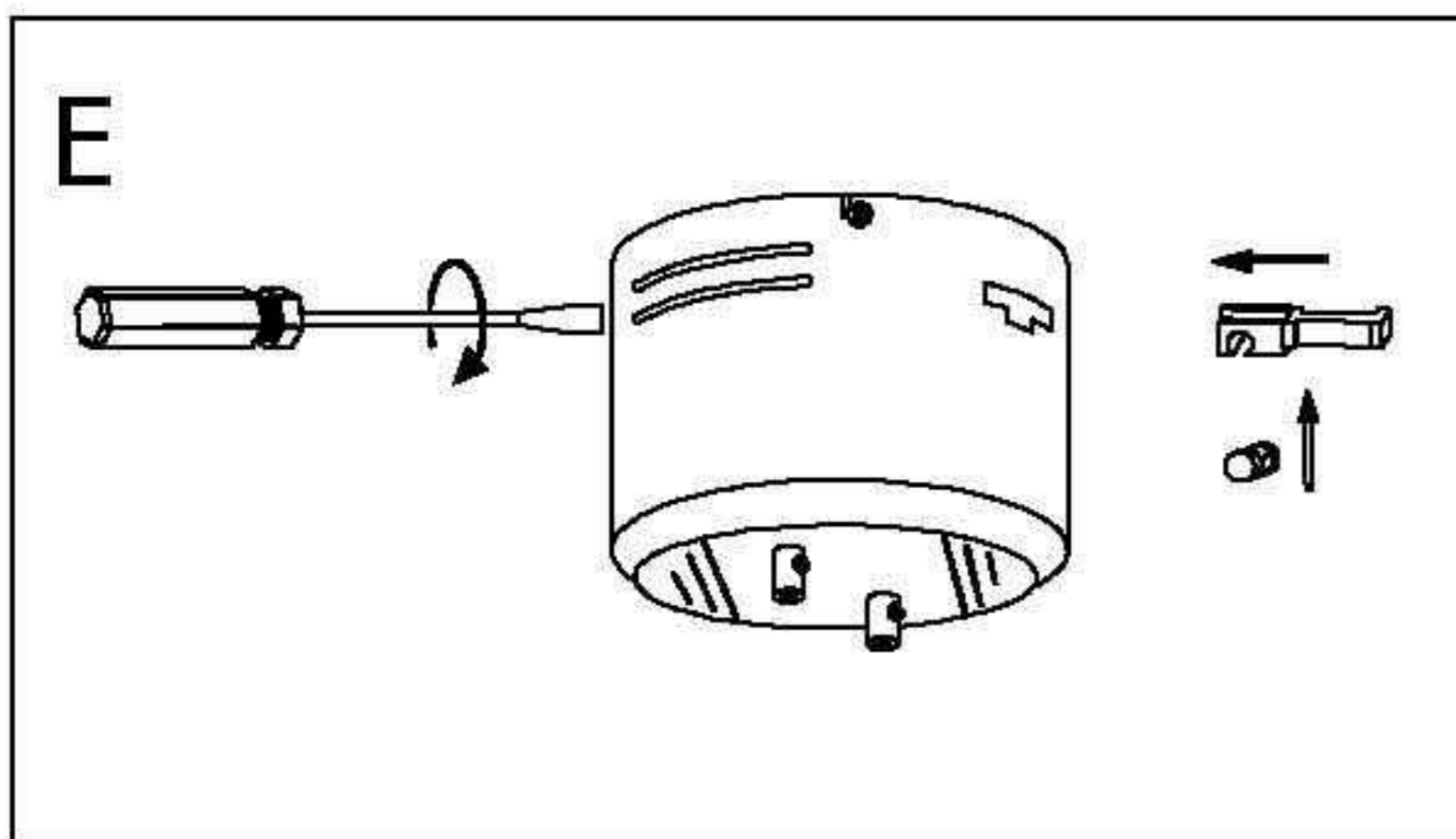
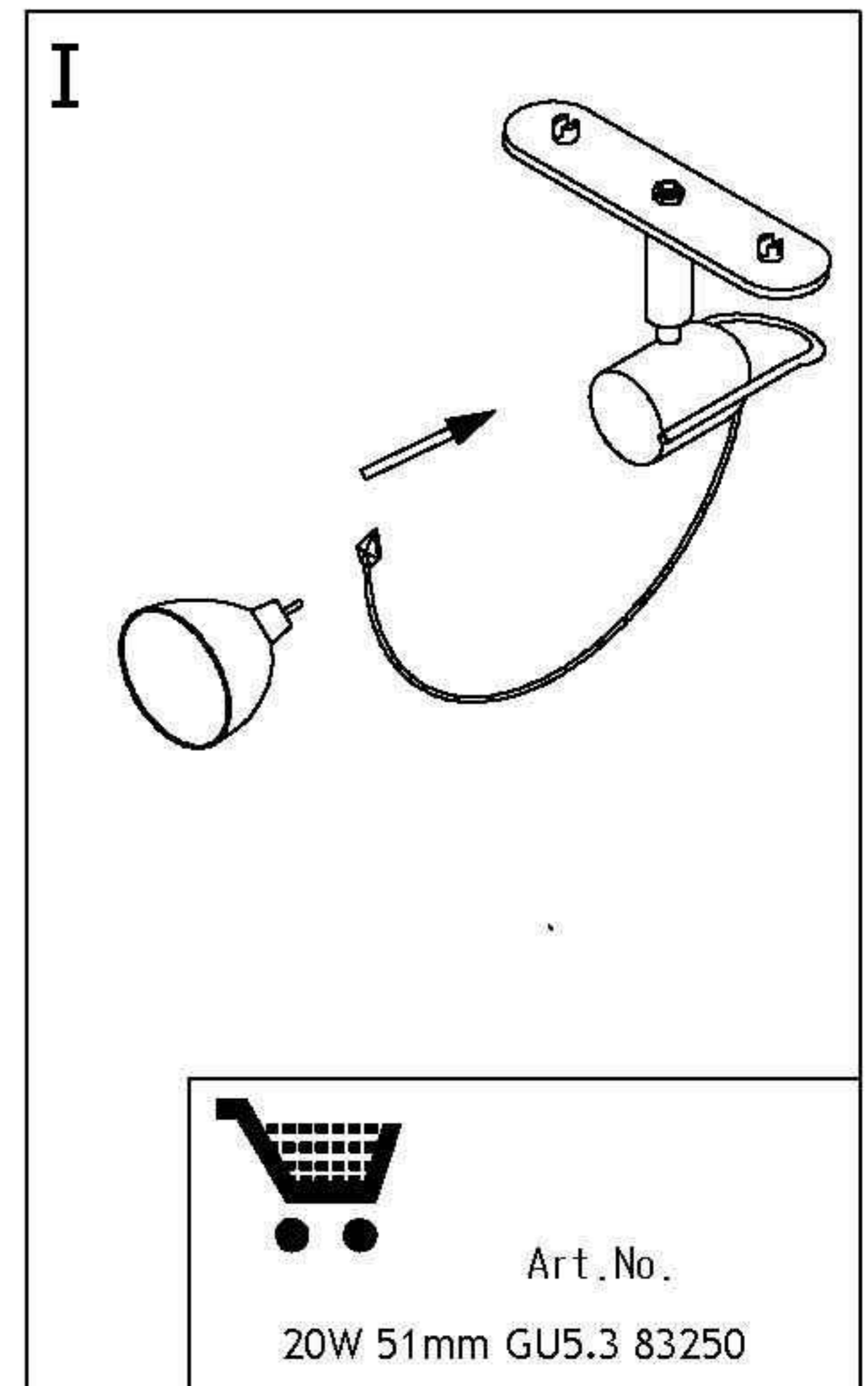
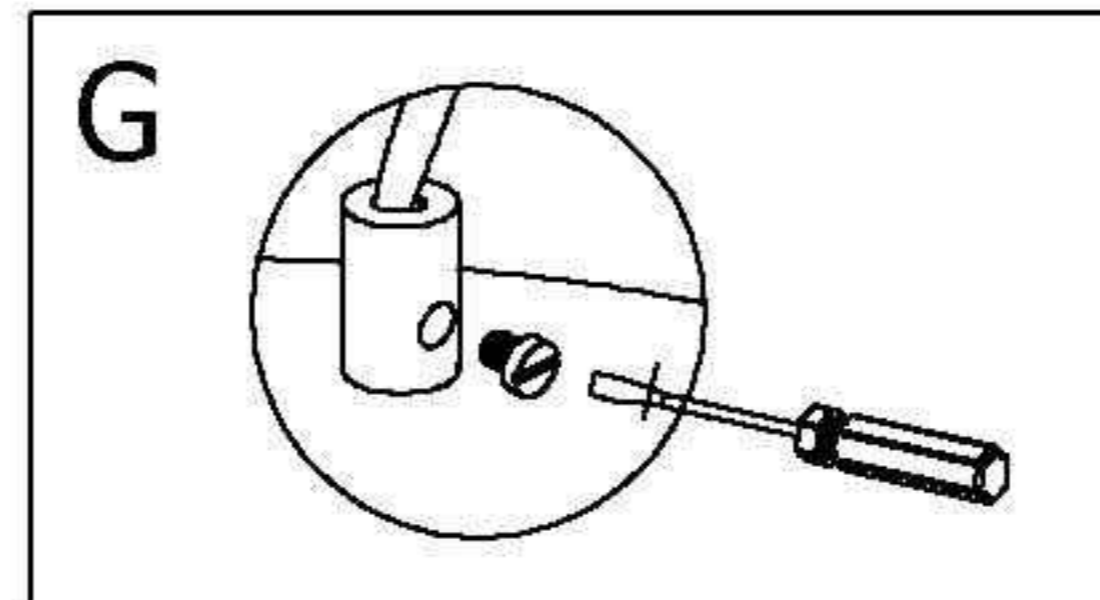
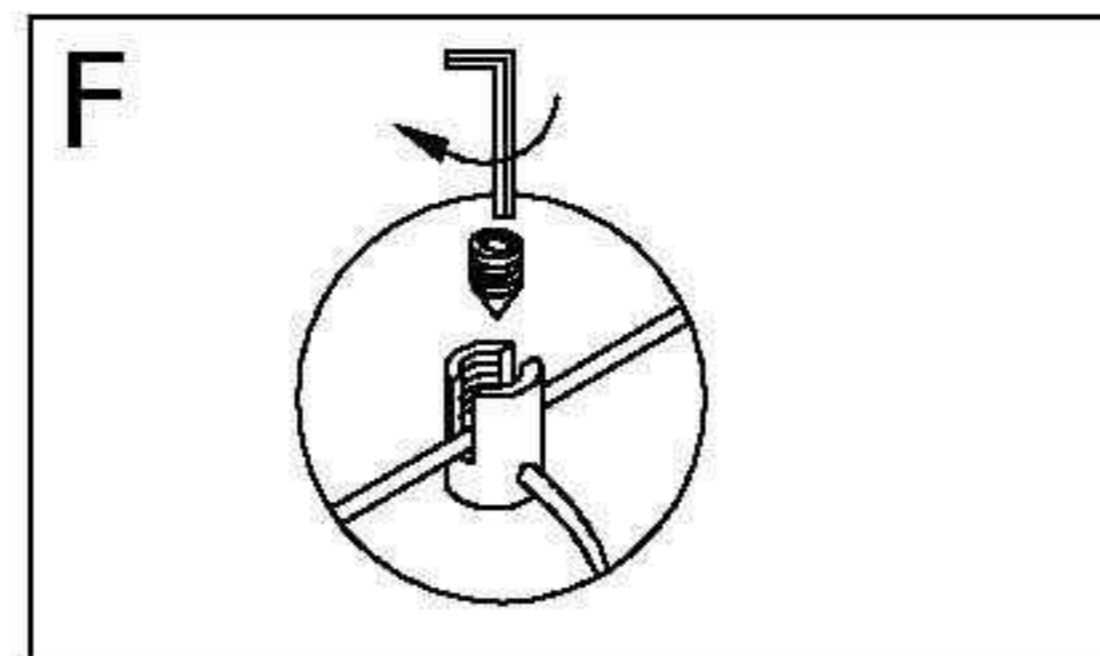
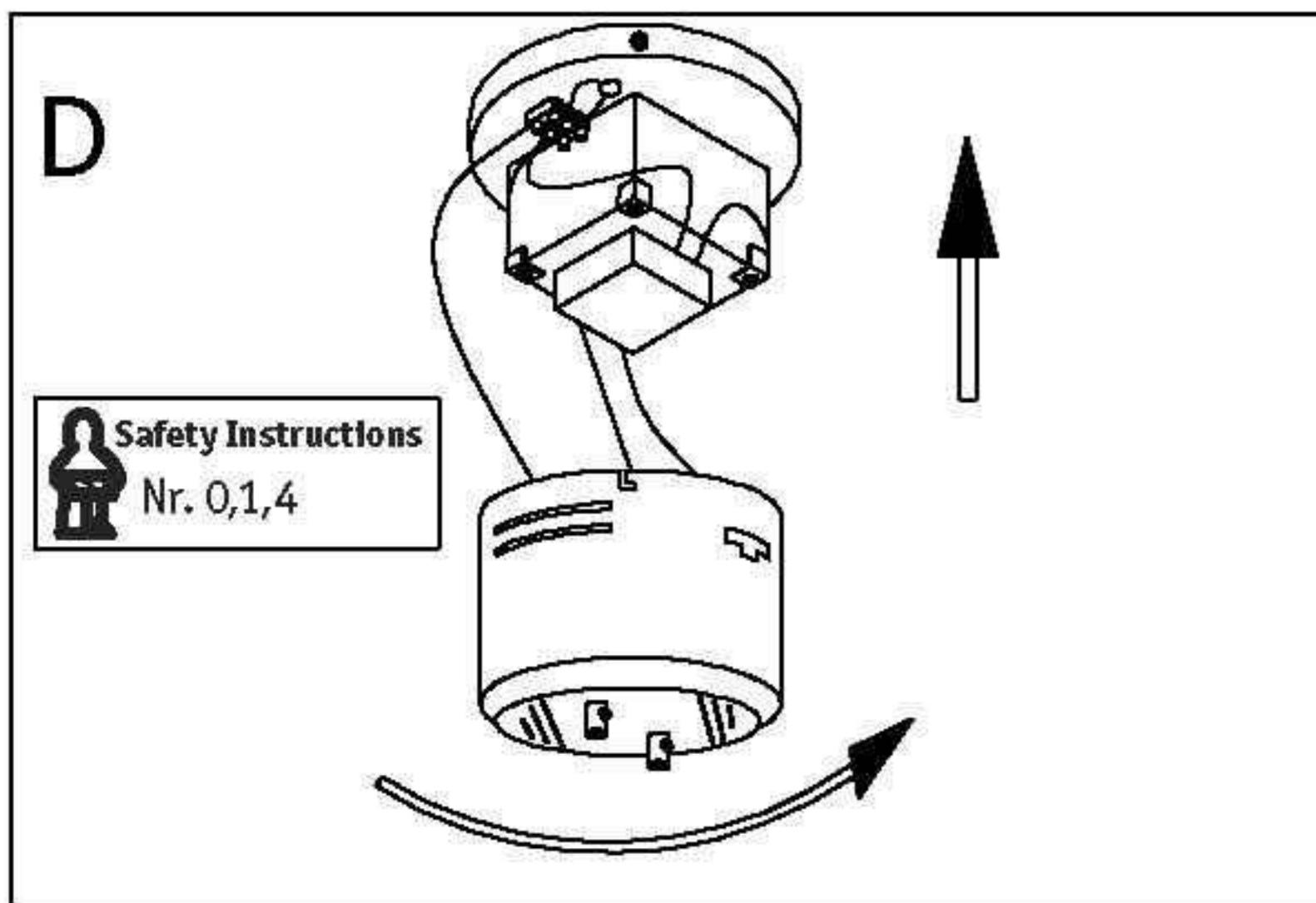
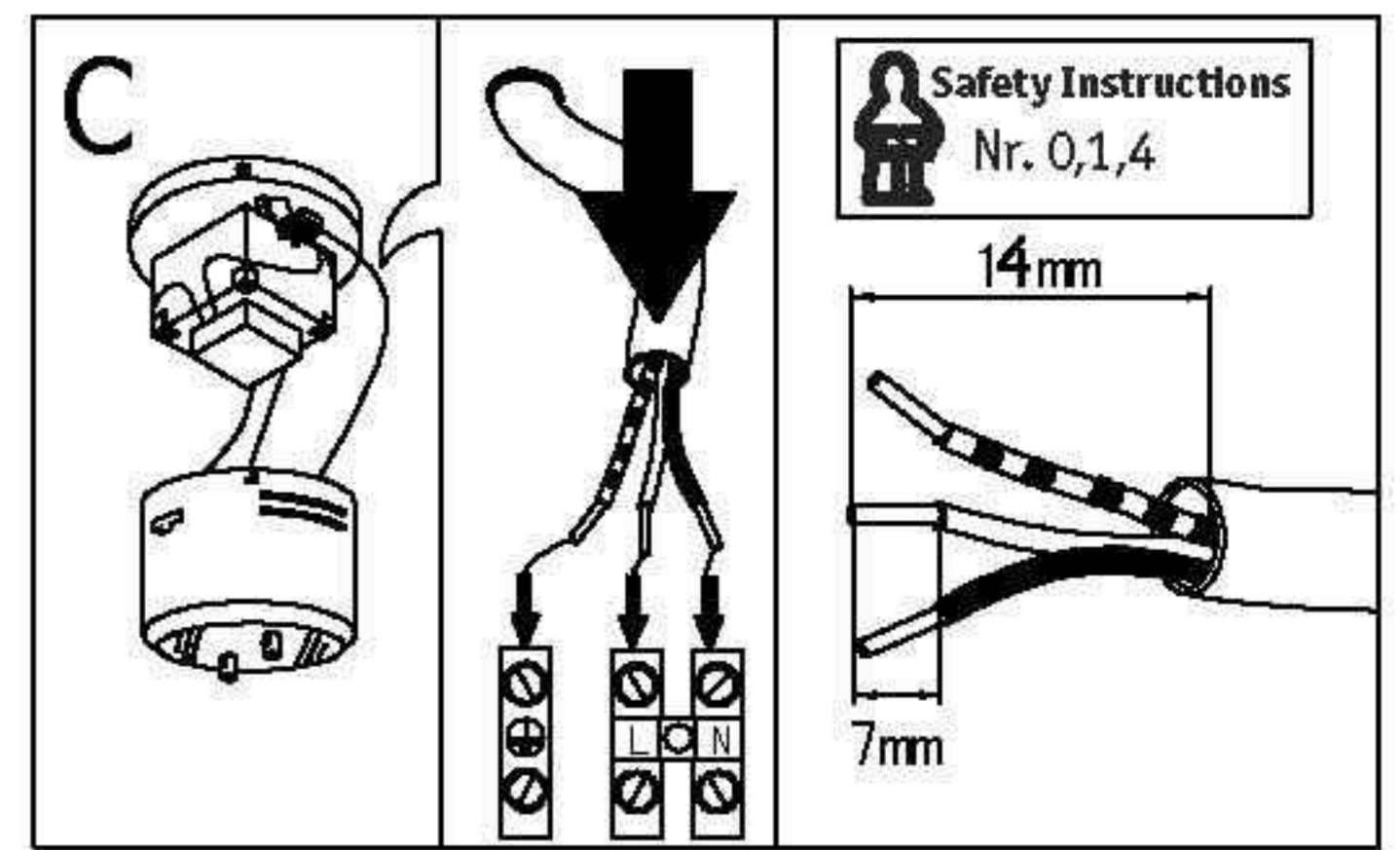
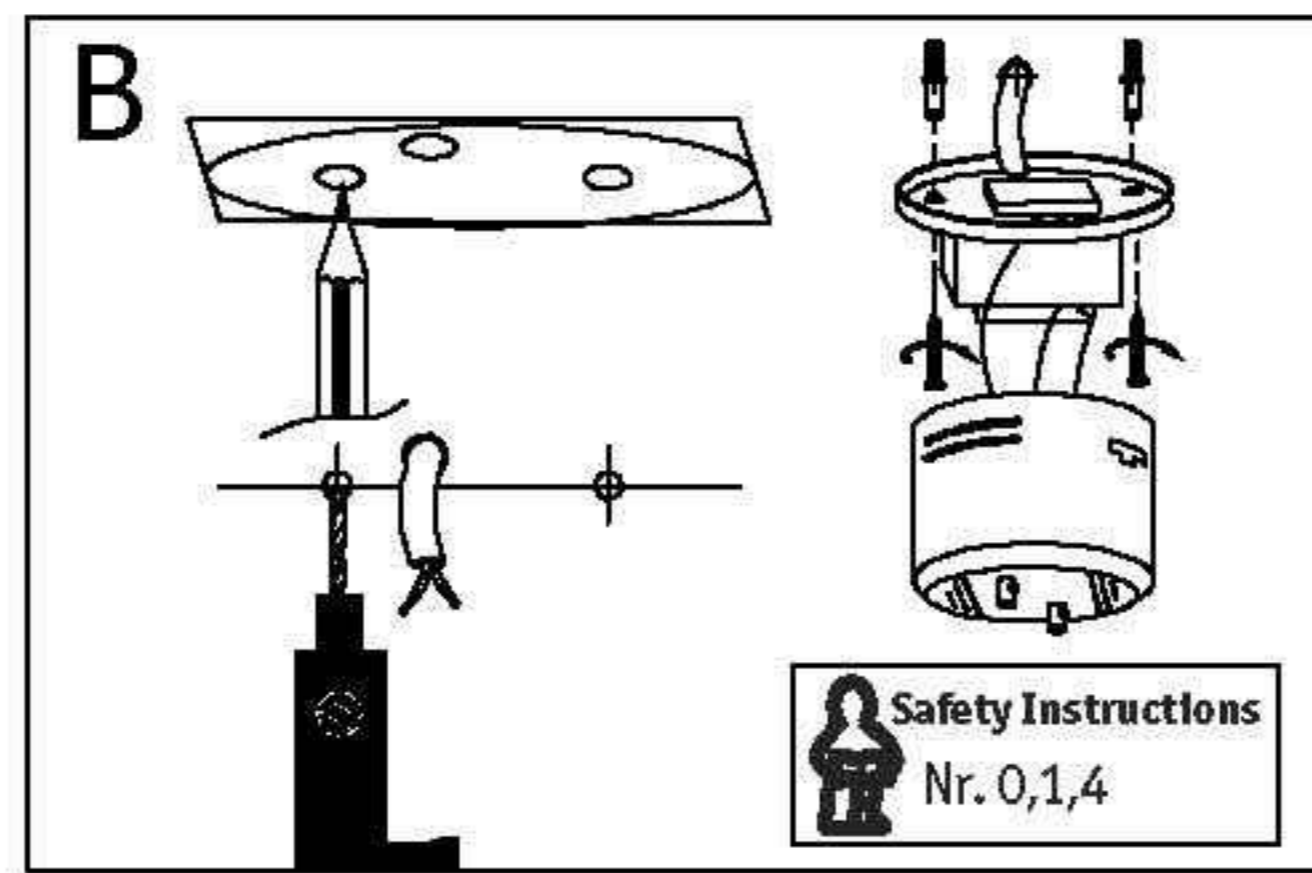
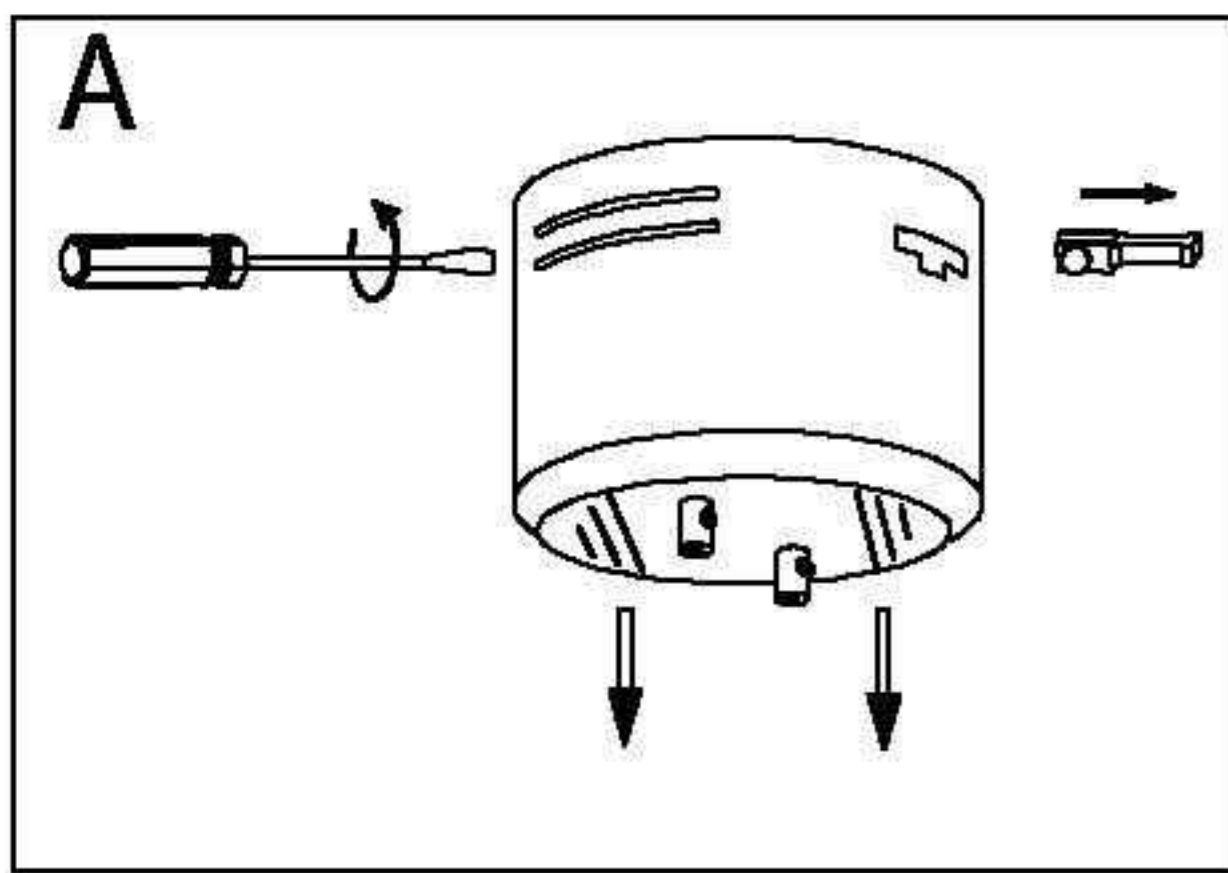
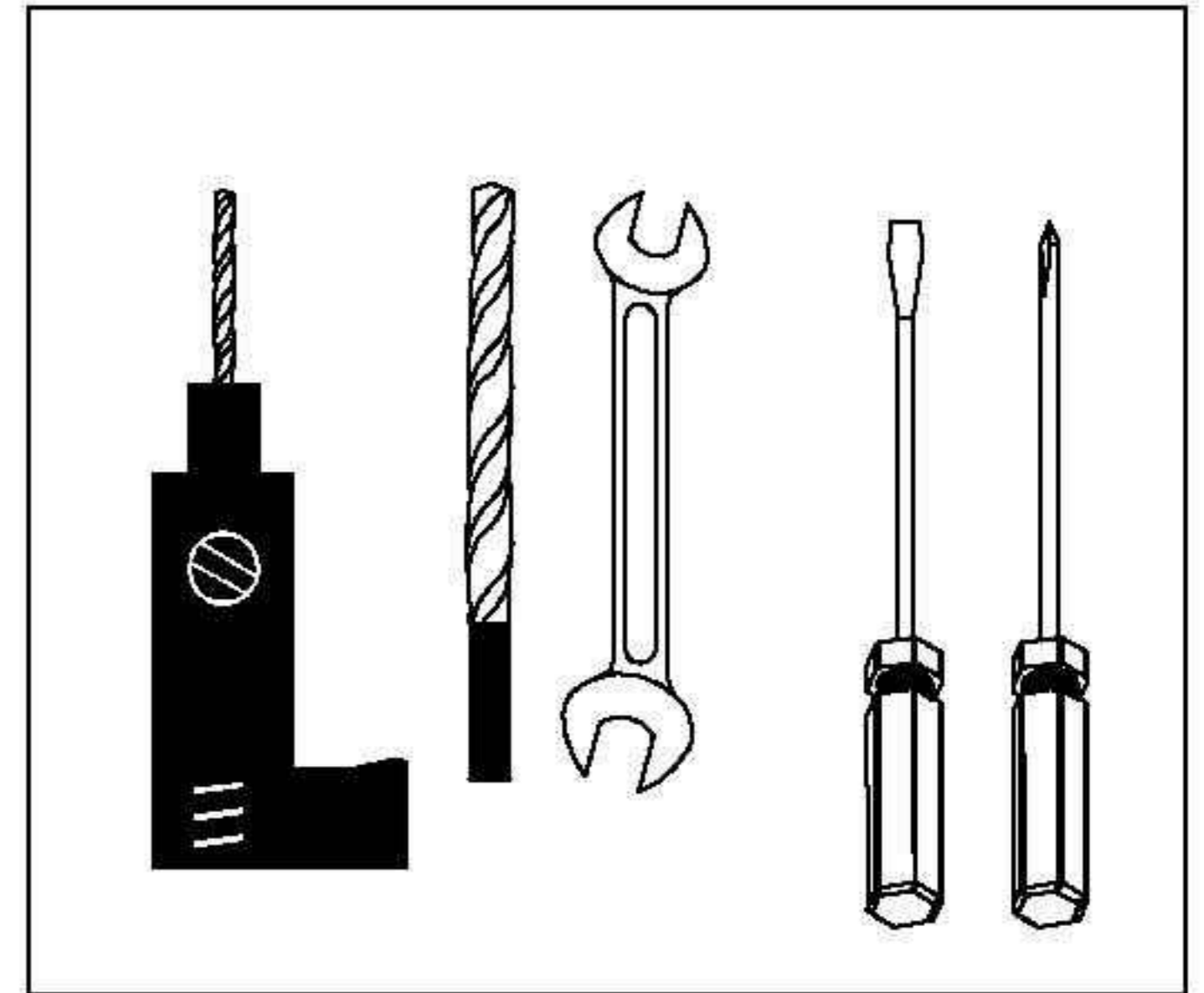
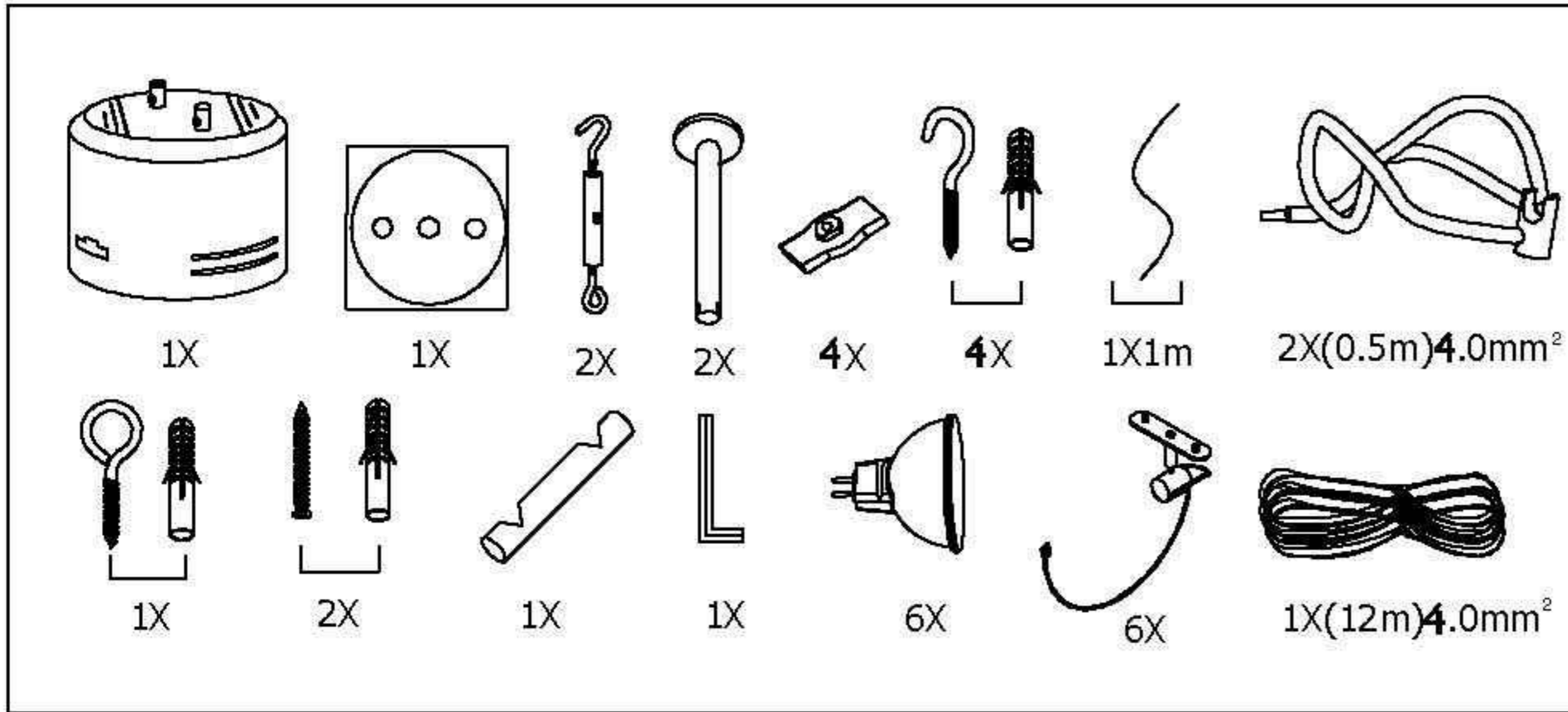
Paulmann Licht GmbH
31832 Springe / Germany
www.paulmann.com

Art.-Nr.:

97067

(+MA 173)

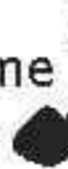
PCK07/09



Safety Instructions



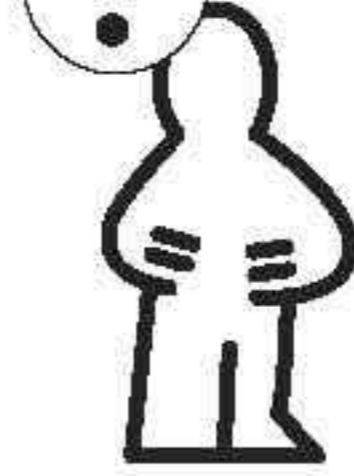
0,1, 2, 3, 4, 6, 7, 8, 9, 10,
11,12,14,15,16,17,18,19,
20,21,22,23,24,25,26,27

Info Hotline 

+49 (0) 5041 998 389

Mon.-Do. 7⁰⁰-20⁰⁰

Fr. 7⁰⁰-17⁰⁰



Paulmann Licht GmbH
31832 Springe / Germany
www.paulmann.com

Art.-Nr.:

97067

(+MA 173)

PCK07/09

