


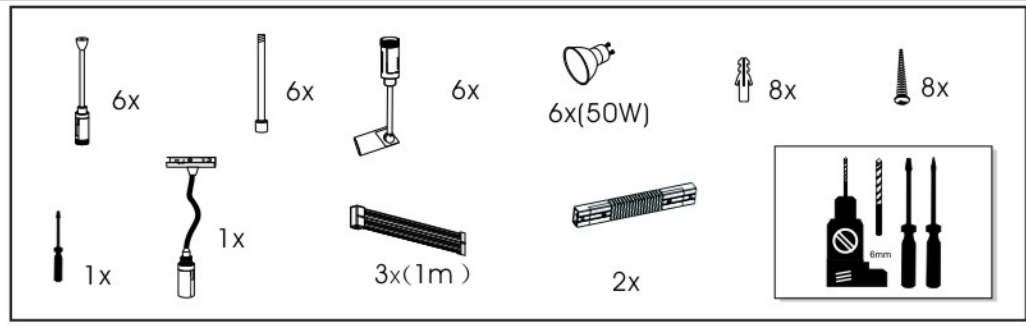
**SAFETY INSTRUCTIONS**



0,1,2,4,6,7,8,9,11,15,20,22

**PAULMANN LICHT GmbH**  
Quezinger Feld 2 • D-31832 Springe  
[www.Paulmann.com](http://www.Paulmann.com)  
+49 (0) 5041 998 389  
7°-20°  
Mon. - Fri.

INFO-LINE

6x      6x      6x      6x(50W)      8x      8x

1x      1x      3x(1m)      2x

