

SAFETY INSTRUCTIONS



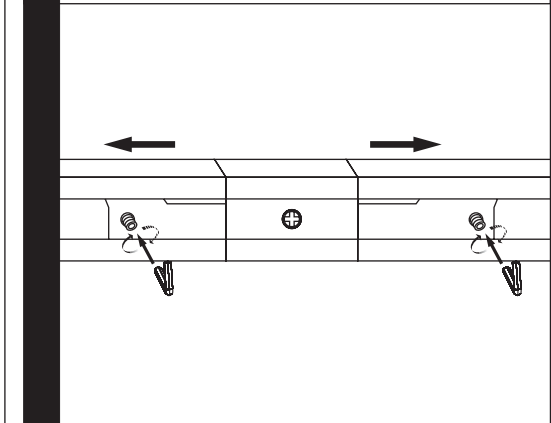
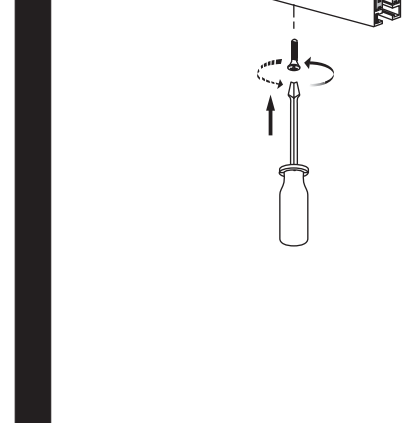
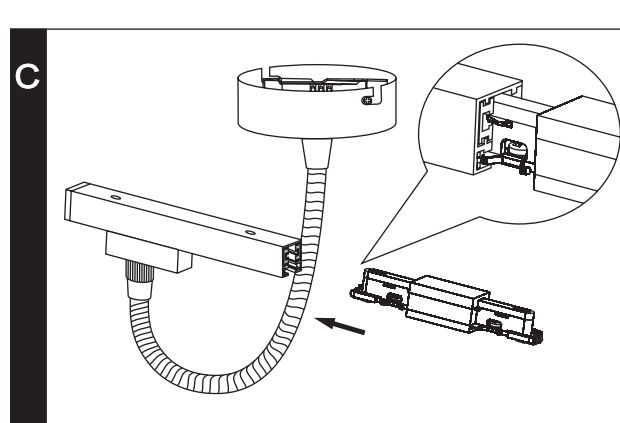
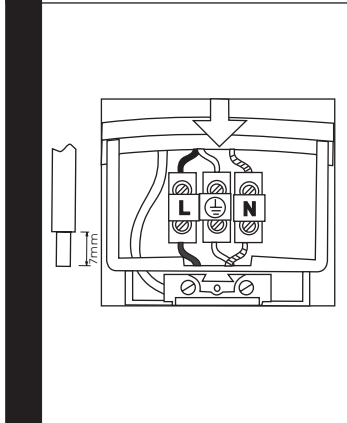
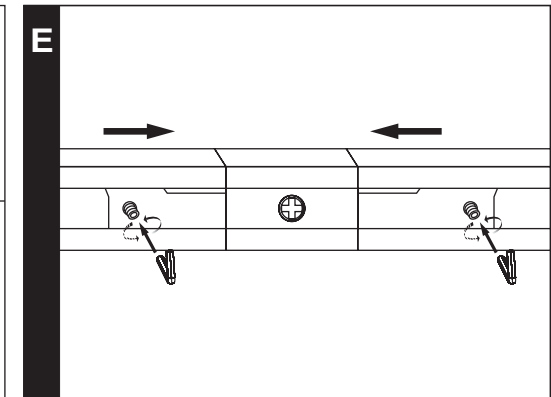
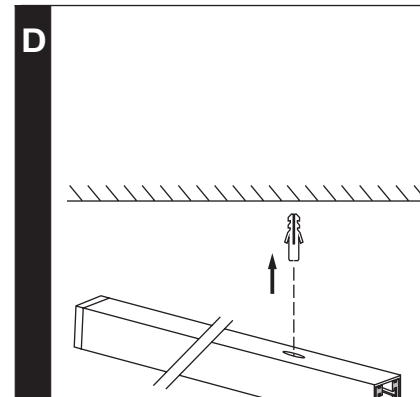
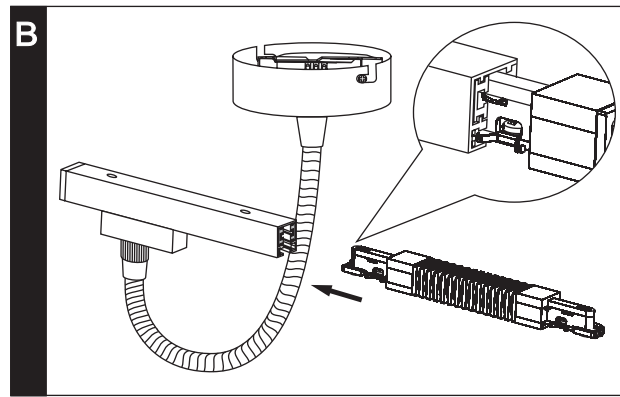
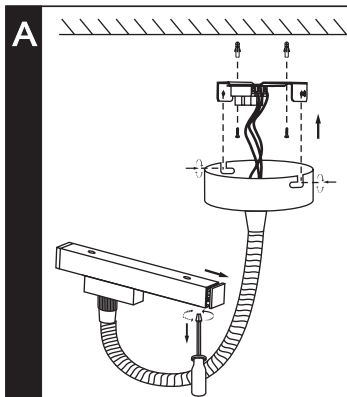
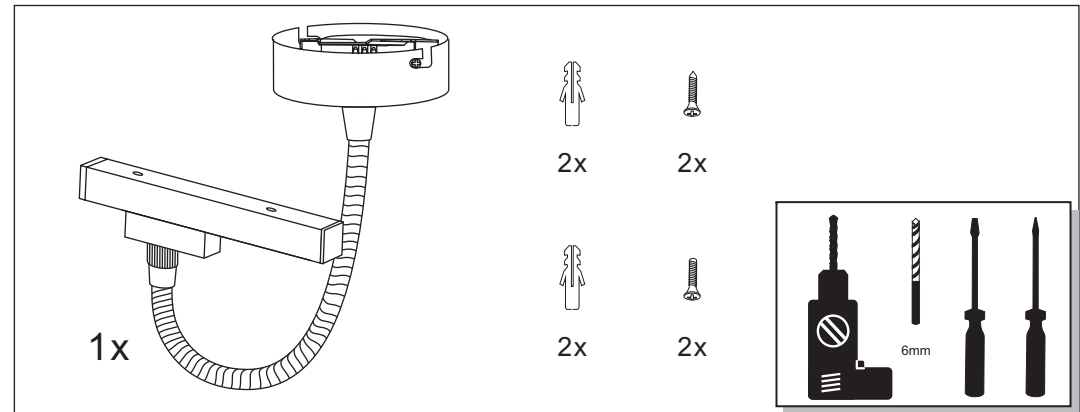
SAFETY INSTRUCTIONS

0, 1, 2, 4, 6, 7, 8, 9, 11, 15, 20, 22

PAULMANN LICHT GmbH
Quezinger Feld 2 • D-31832 Springe
www.Paulmann.com
☎ +49 (0) 5041 998 389

INFO-LINE

🕒 7⁰⁰ - 20⁰⁰ Mo. - Do.
🕒 7⁰⁰ - 17⁰⁰ Fr.



max.1000W

