

Safety Instructions



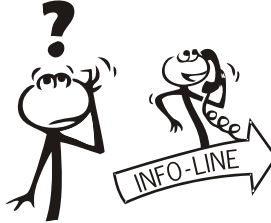
0, 1, 2, 3, 4, 5a, 6, 7, 8, 9, 10, 11, 12, 13, 14, 15, 16, 17, 18, 20, 22, 23, 24




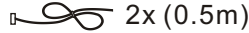



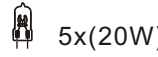
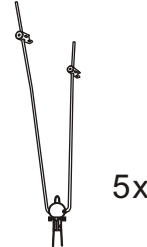
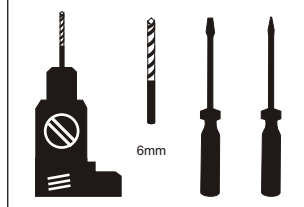





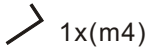
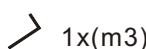
Paulmann Licht GmbH
 Quezinger Feld 2
 D-31832 Springe
www.paulmann.com

☎ +49 (0) 5041 998 389

Mon.-Do. ⌚ 7⁰⁰-20⁰⁰ ⌚
 Fr. ⌚ 7⁰⁰-17⁰⁰ ⌚

INFO-LINE



 1x105W	 4x	 4x	 2x (0.5m)	 1x(10m)
 5x	 2x	 5x(20W)	 5x	
 2x	 1x	 4x	 4x	
 4x	 1x(m4)	 1x(m3)		

