



**Safety Instructions**

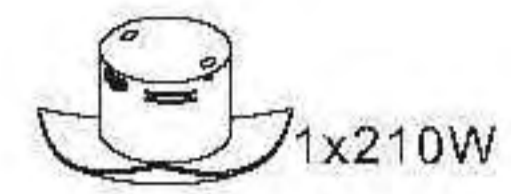
0, 1, 2, 3, 4, 5a, 6, 7, 8, 9, 10, 11, 12, 13  
14, 15, 16, 17, 18, 20, 21, 22, 23, 24



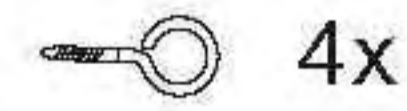
INFO-LINE

**Paulmann Licht GmbH**  
Quezinger Feld 2  
D-31832 Springe  
[www.paulmann.com](http://www.paulmann.com)

+49 (0) 5041 998 389  
Mon.-Do. ☎ 7<sup>00</sup>-20<sup>00</sup> ☎  
Fr. ☎ 7<sup>00</sup>-17<sup>00</sup> ☎



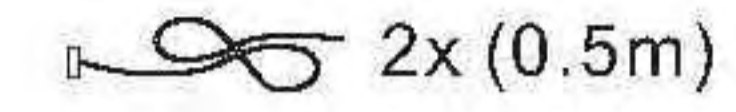
1x210W



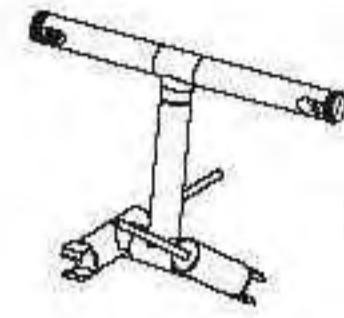
4x



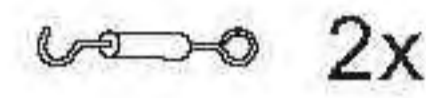
2x



2x (0.5m)



5x



2x



2x



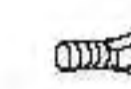
1x(10 m)



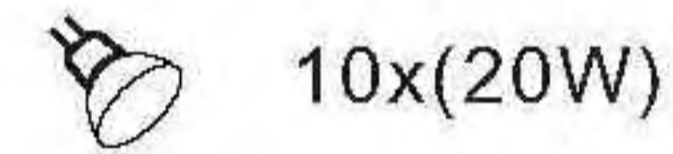
2x



1x



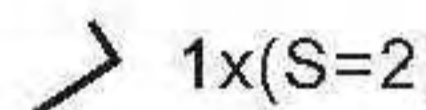
4x



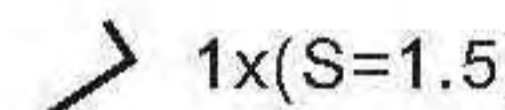
10x(20W)



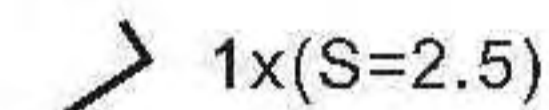
4x



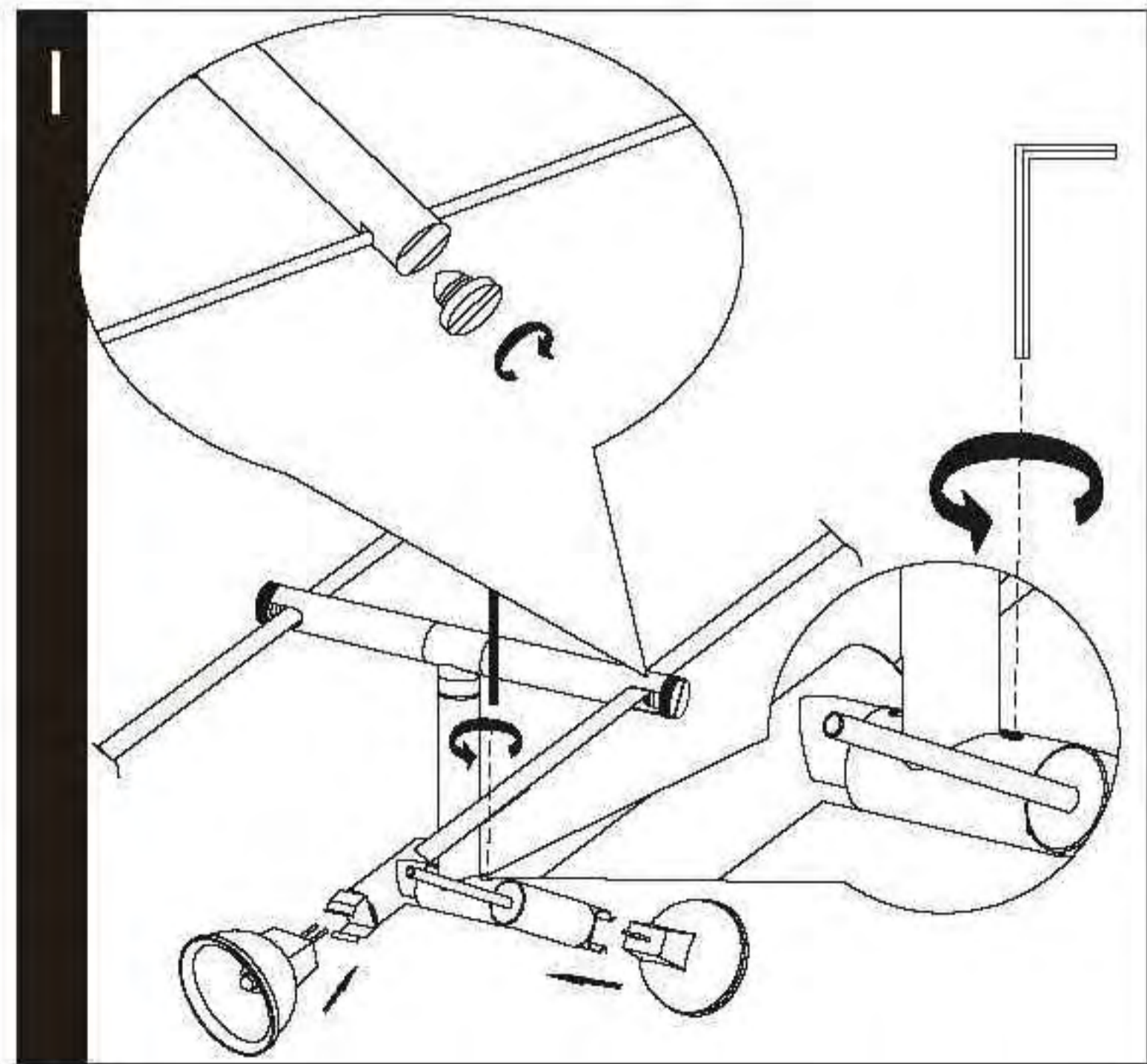
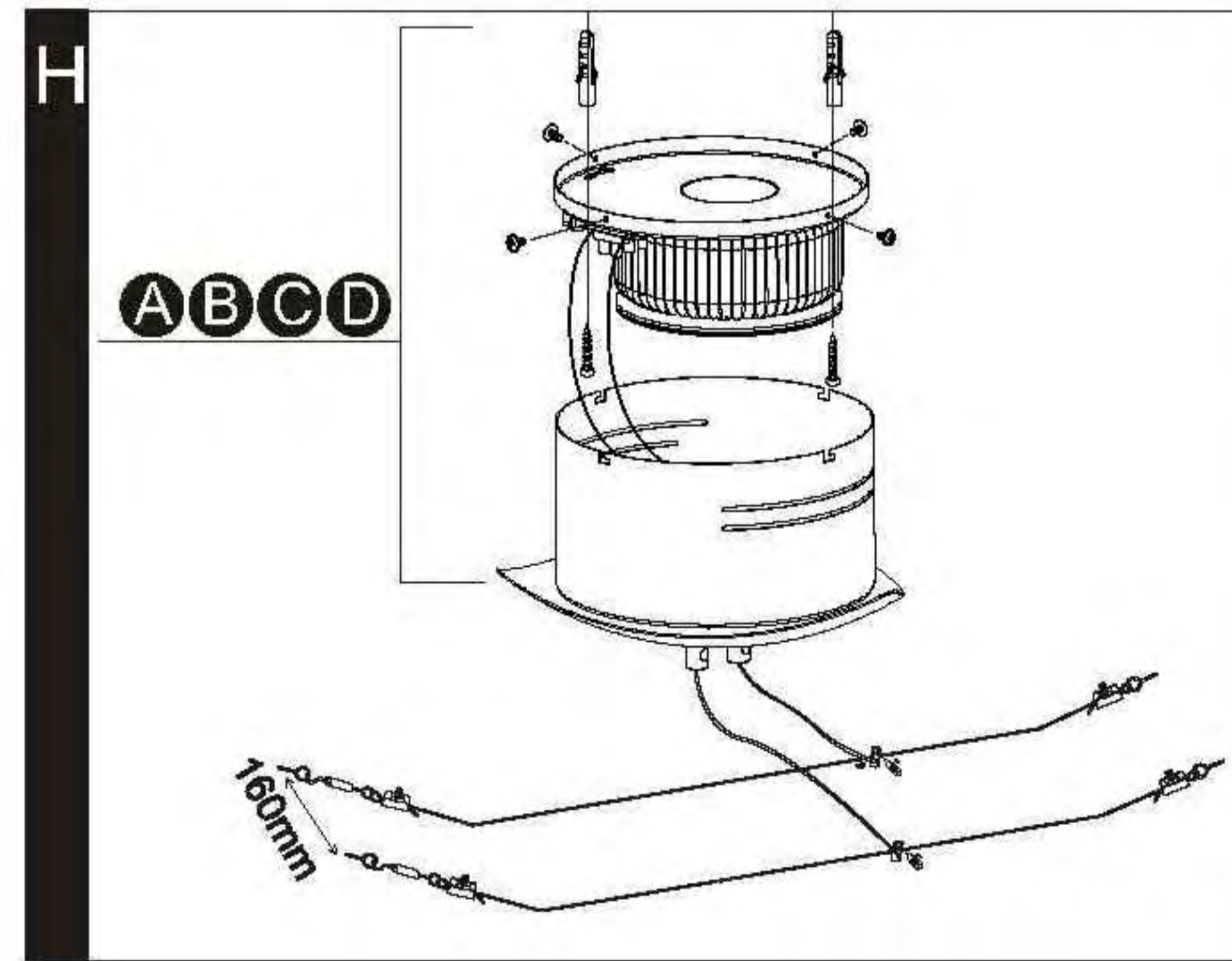
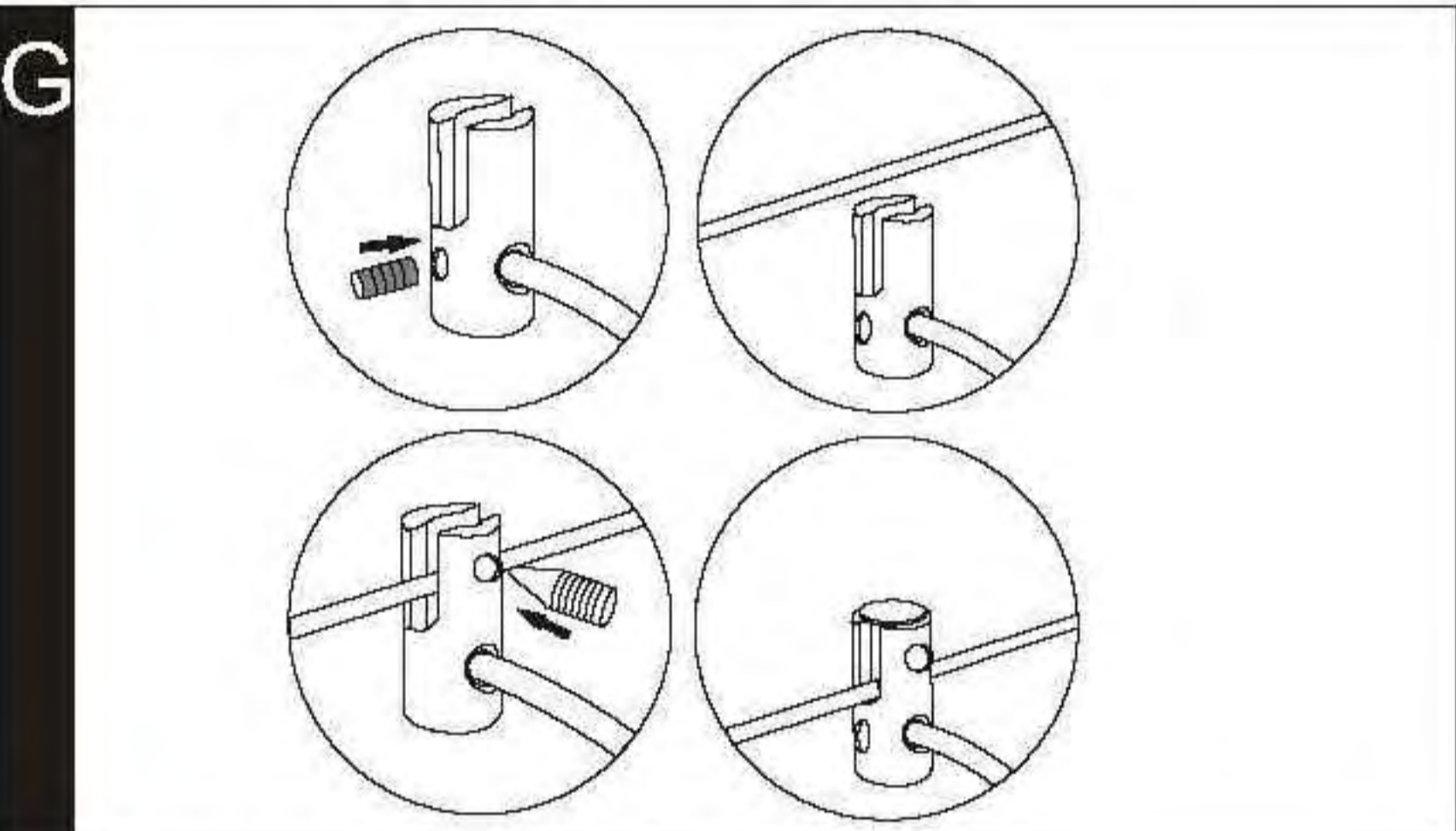
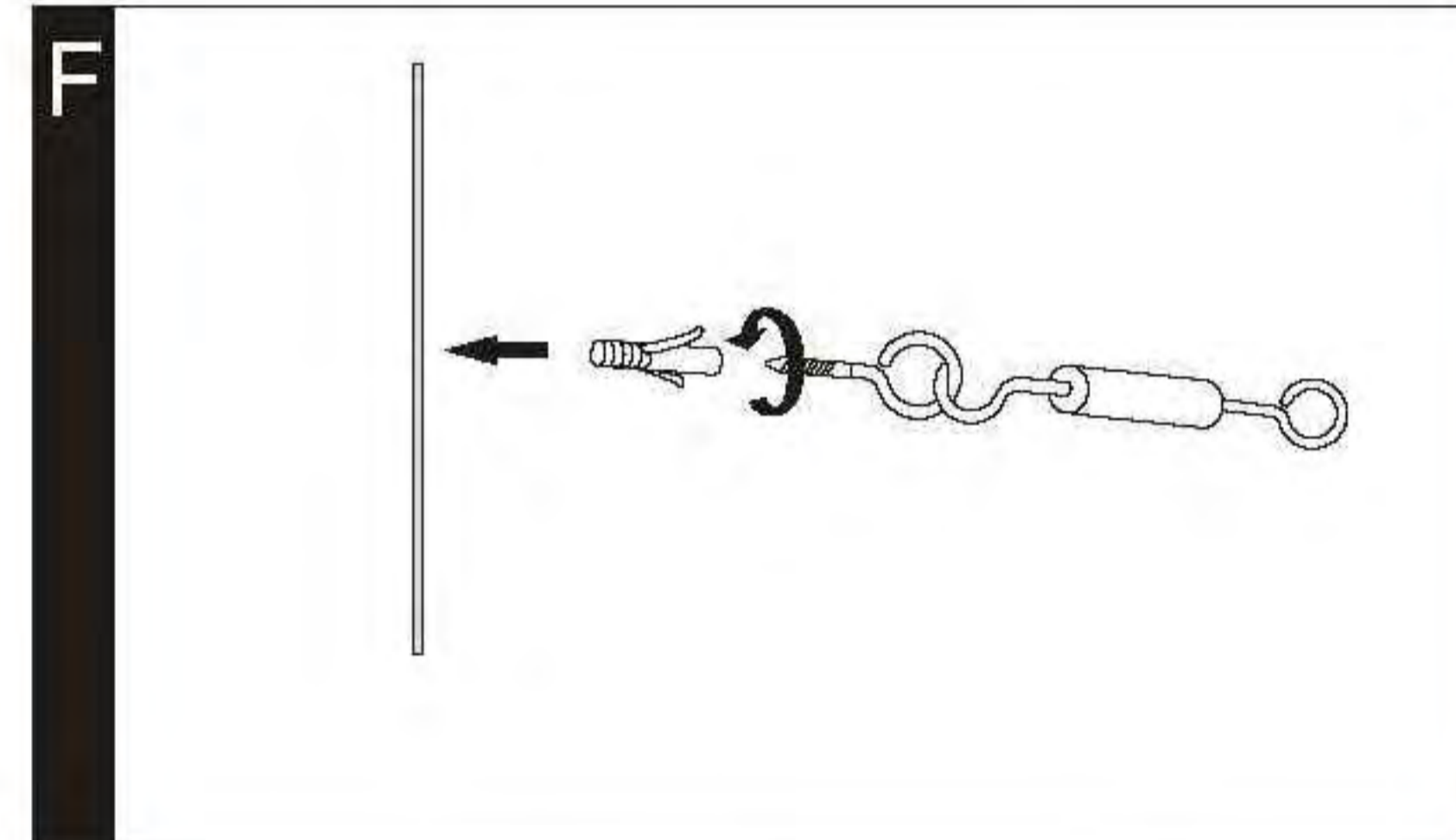
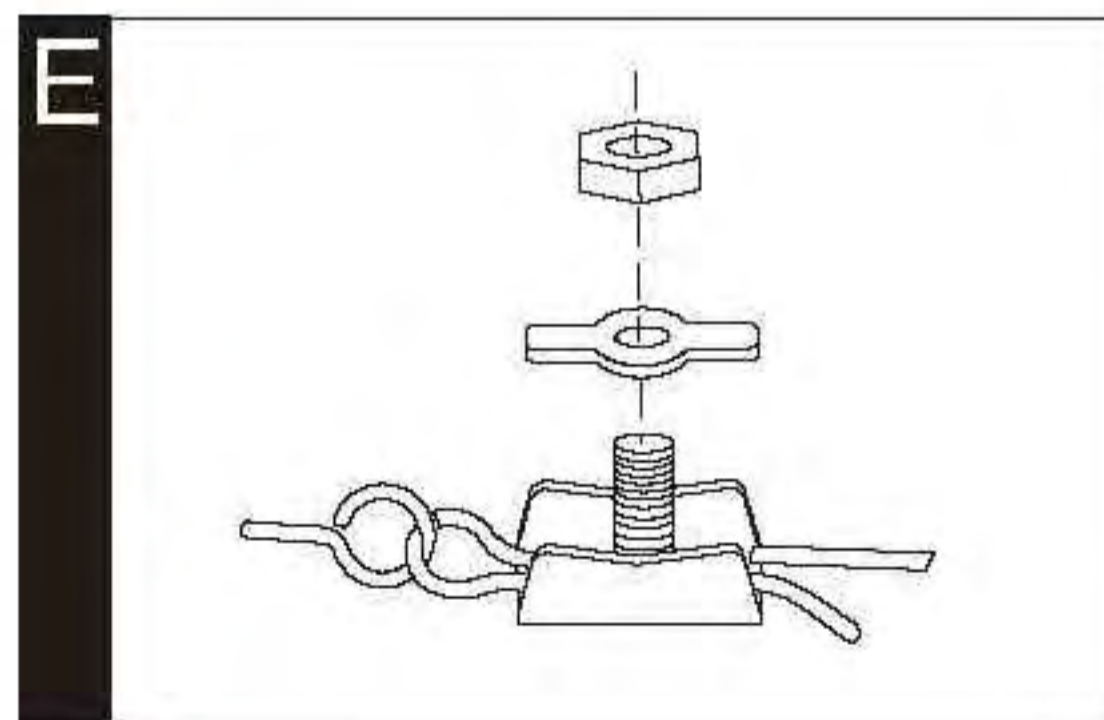
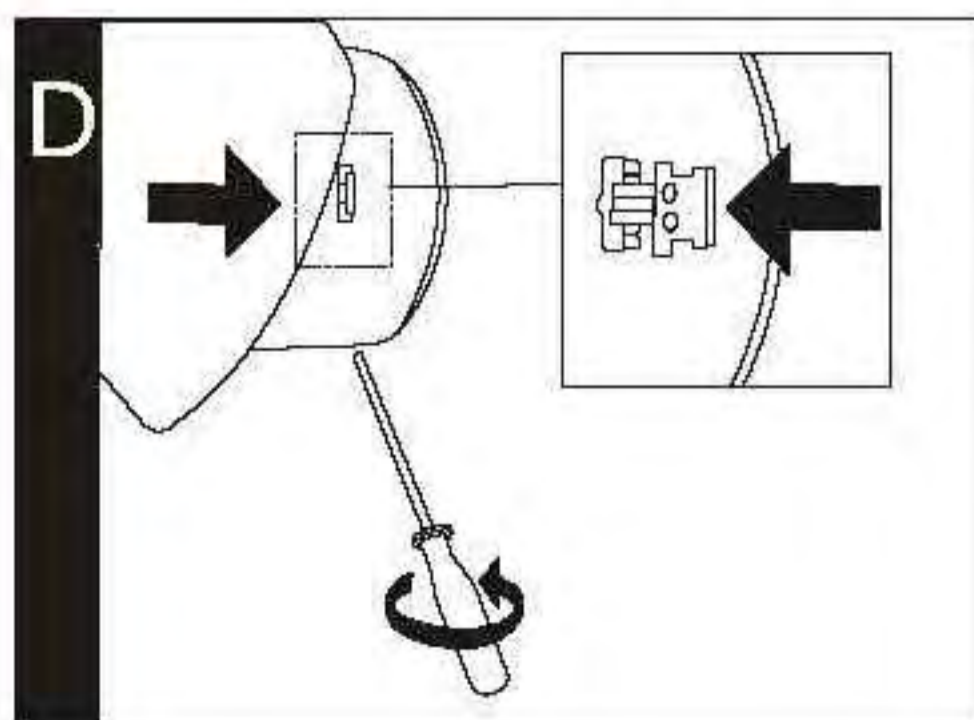
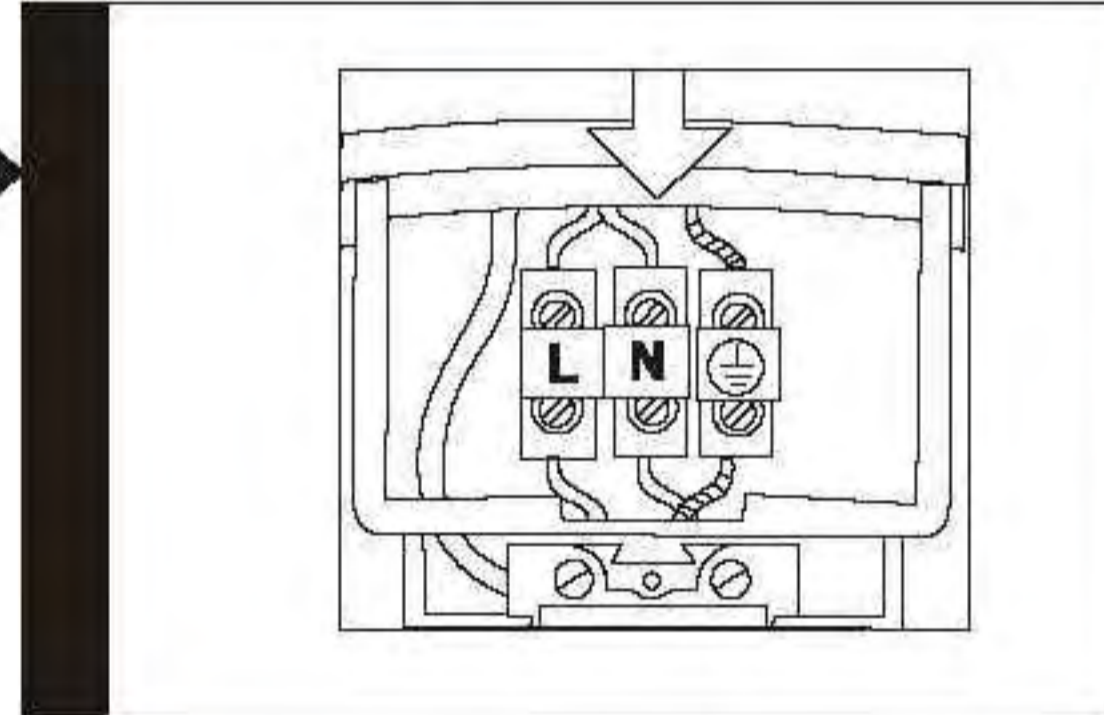
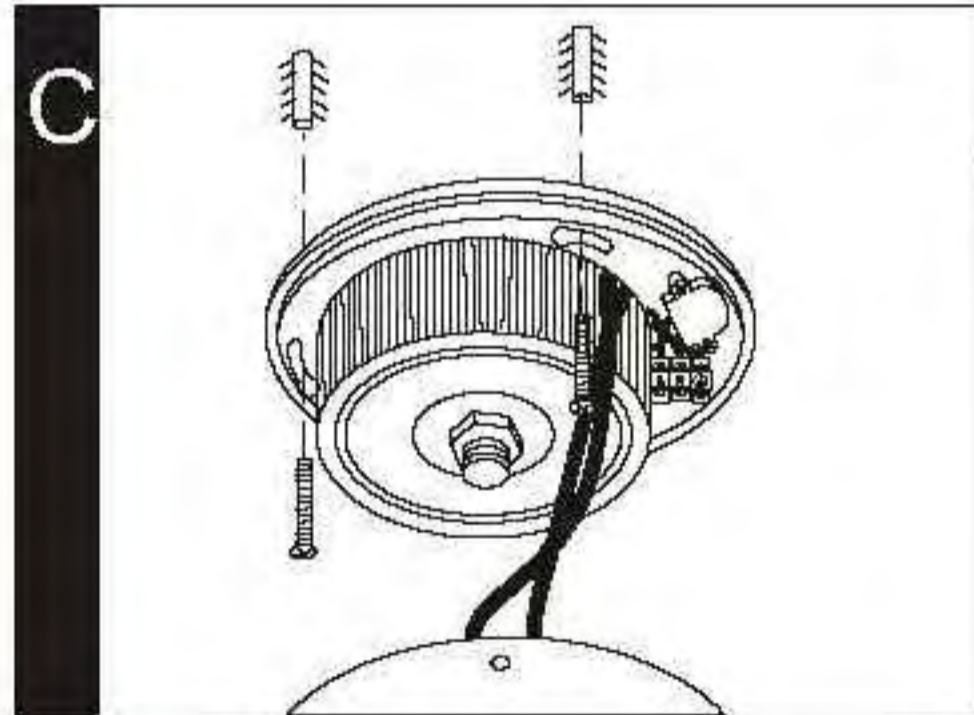
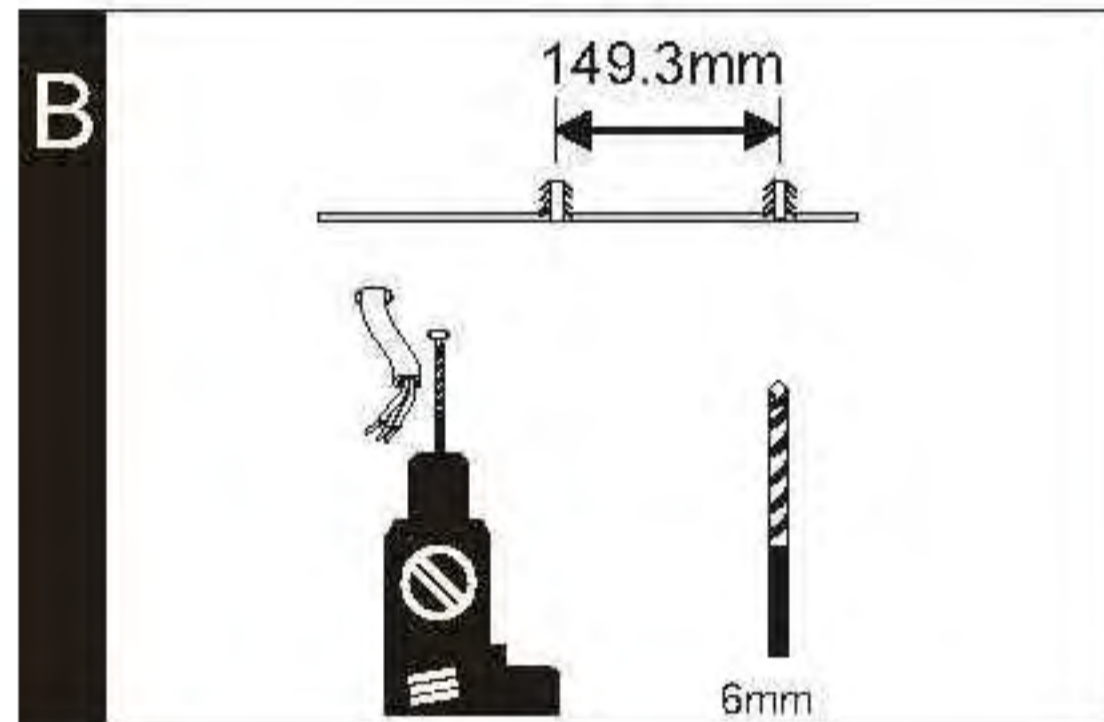
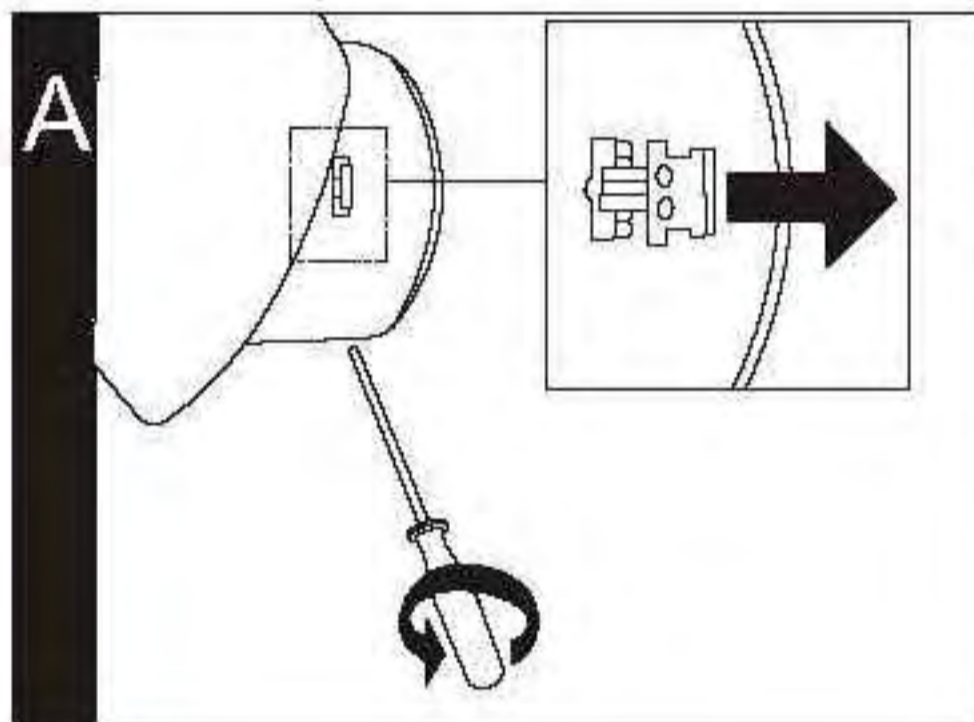
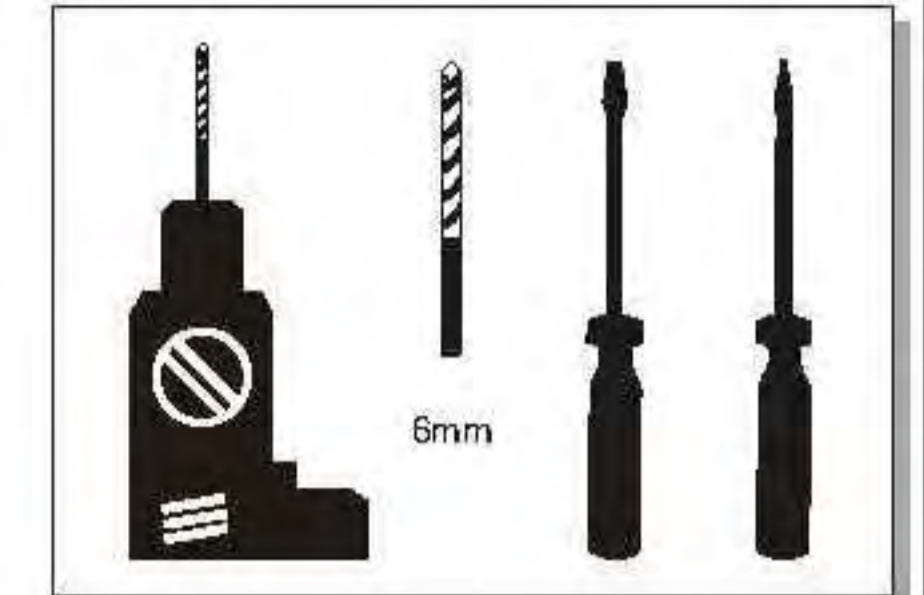
1x(S=2)



1x(S=1.5)



1x(S=2.5)



**A B C D**

