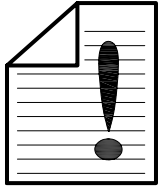


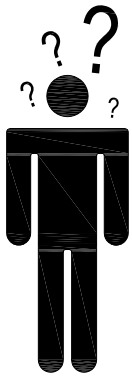
SAFETY INSTRUCTIONS



## SAFETY INSTRUCTIONS



0,4,6,7,8,11,15,20,22,24



**PAULMANN LICHT GmbH**  
Quezinger Feld 2 • D-31832 Springe  
[www.Paulmann.com](http://www.Paulmann.com)

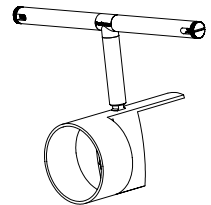
+49 (0) 5041 998 389

7<sup>00</sup> — 20<sup>00</sup>

Mo.-Do.

7<sup>00</sup> — 17<sup>00</sup>

Fr.

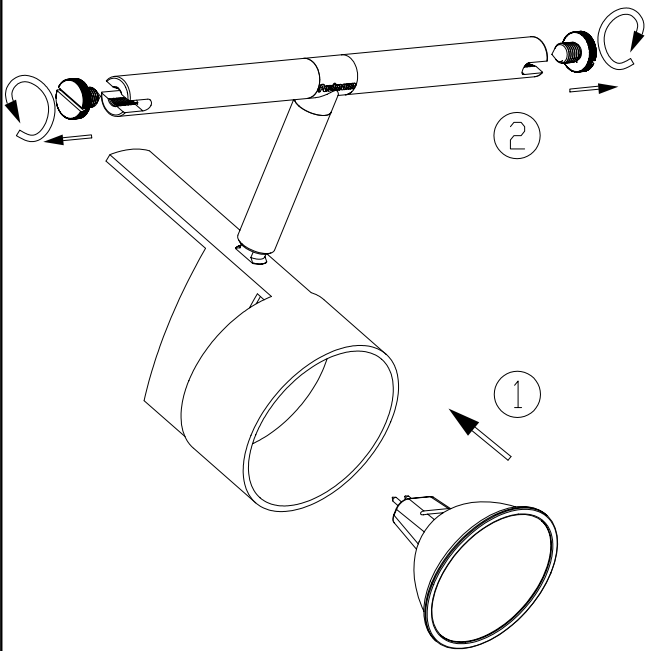


1X



1X(50W)

A



B

