


Safety Instructions

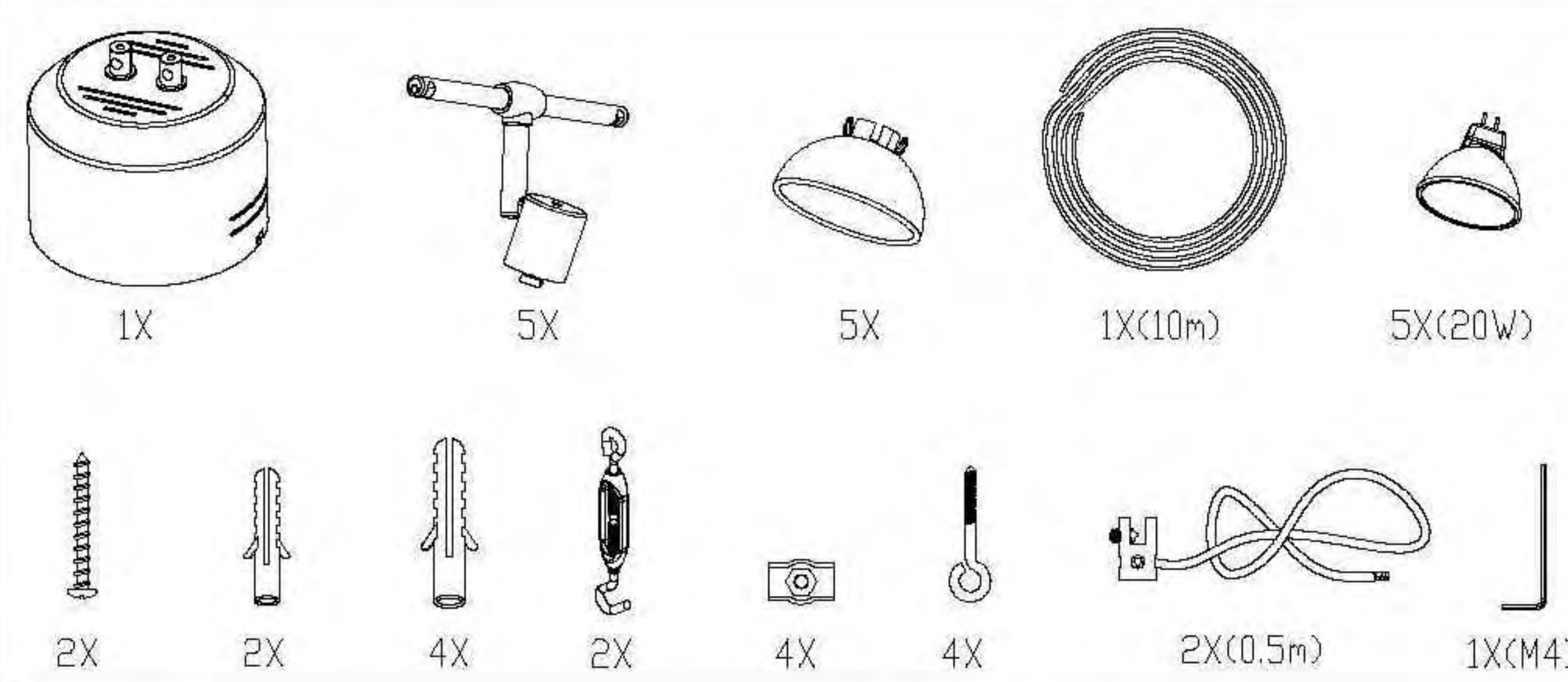


0,1,2,3,4,5a,6,7,8,9,10,11,12,13,
14,15,16,18,20,21,22,23,24,25,27

Paulmann Licht GmbH
Quezinger Feld 2
D-31832 Springe
www.Paulmann.com
+49 (0) 5041 998 389

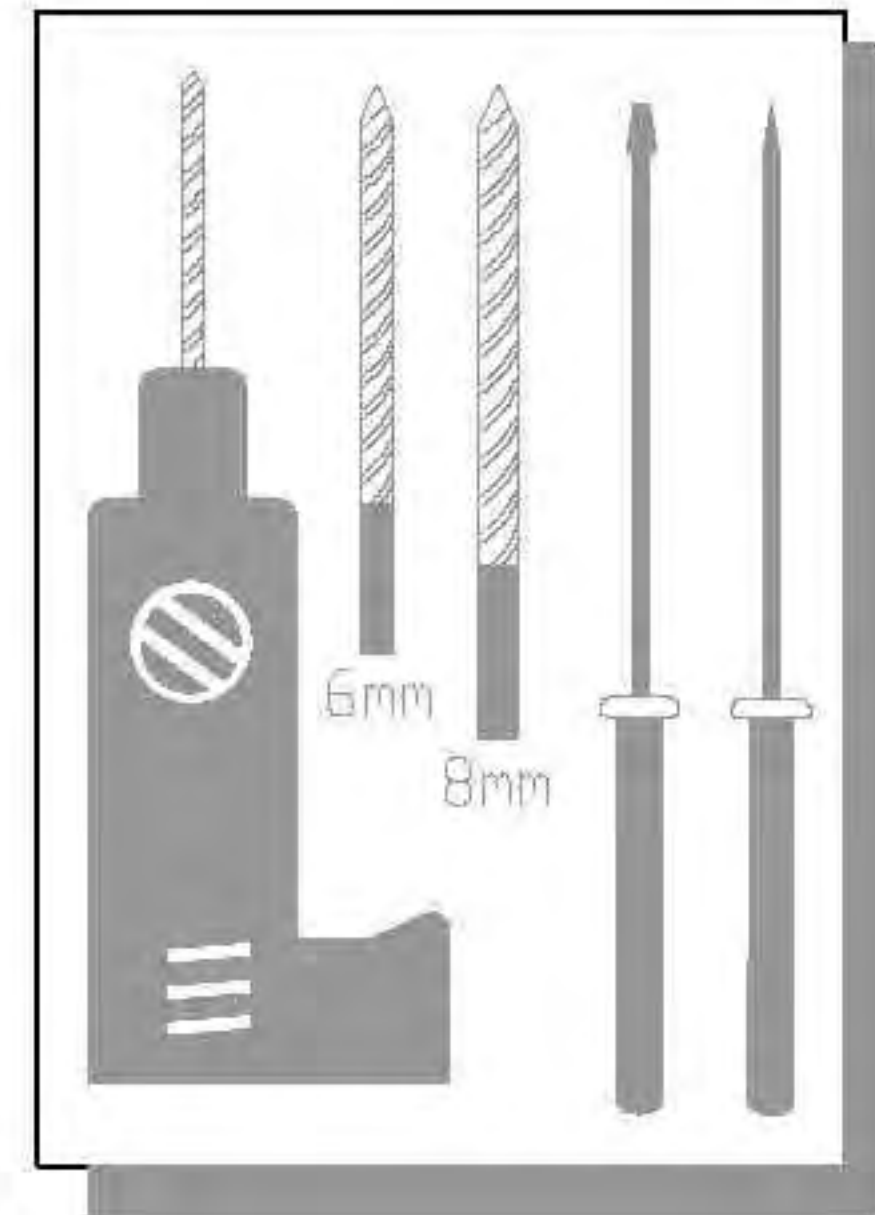
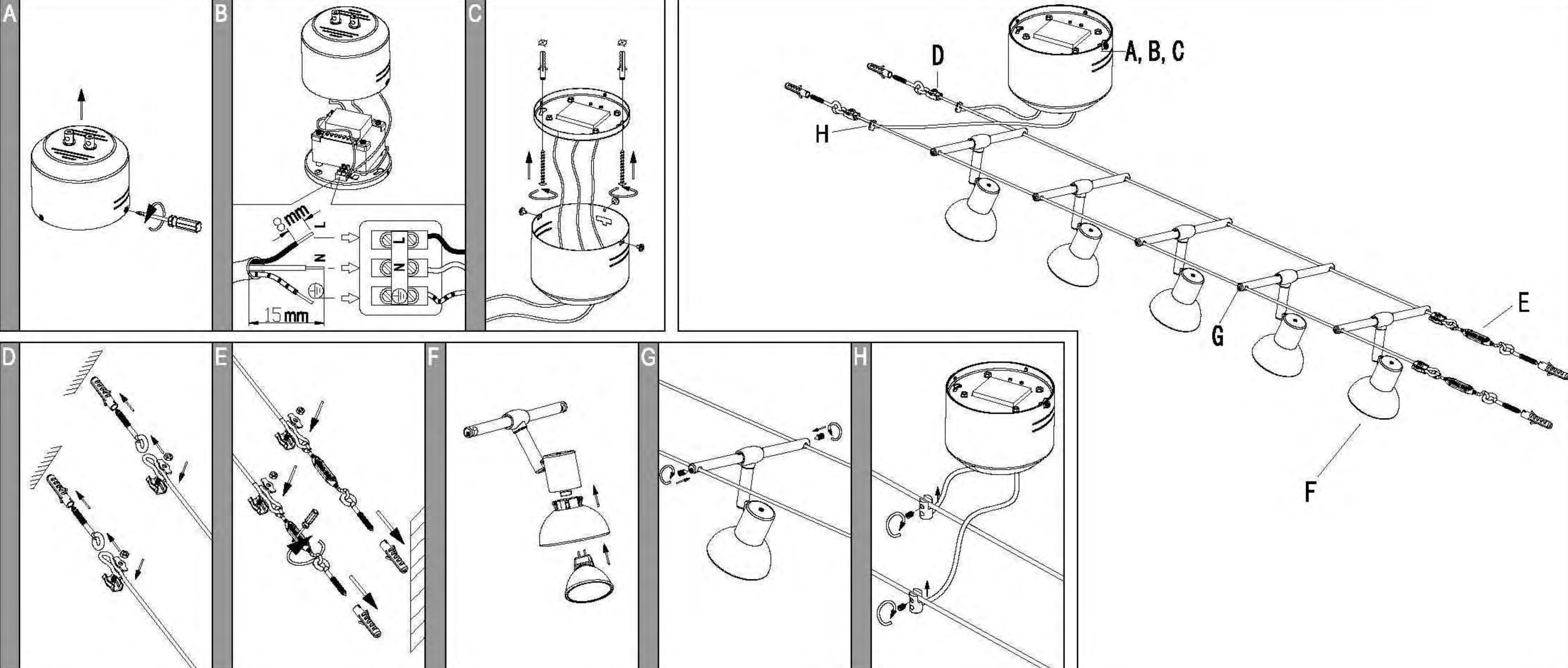
Mo.-Do. 7⁰⁰ - 20⁰⁰
Fr. 7⁰⁰ - 17⁰⁰

INFO-LINE

1X
5X
5X
1X(10m)
5X(20W)

2X
2X
4X
2X
4X
4X
2X(0.5m)
1X(M4)

A **B** **C** **D** **E** **F** **G** **H**

A, B, C
D
E
F
G
H

8mm
15mm