

Safety Instructions



1, 2, 3, 4, 5, 6, 7, 8, 9, 11,
12-Transfo, 13, 15, 16-transfo,
17, 19, 30, 31b, 34



Info Hotline **+49 (0) 5041 998 389**

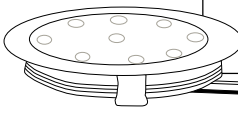
Mon. - Do. 7⁰⁰ - 20⁰⁰

Fr. 7⁰⁰ - 17⁰⁰

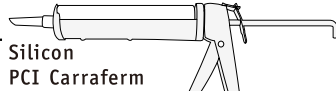
Paulmann Licht GmbH
31832 Springe / Germany
www.paulmann.com

Art.-Nr.:
988.57
988.58
988.59
...
(+MA 197)
PSU 05/12

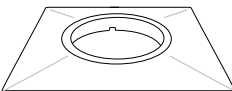
<130 kg



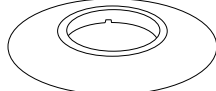
+ Silicon PCI Carraferm



Art.Nr.: 987.51, 987.52
987.56, 987.91
988.59, 937.00
925.63



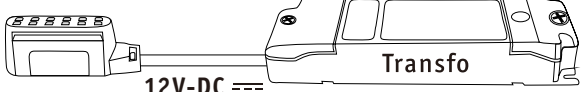
Art.Nr.: 987.79, 987.82
988.58 925.65



Art.Nr.: 987.77, 987.81
988.57 925.64

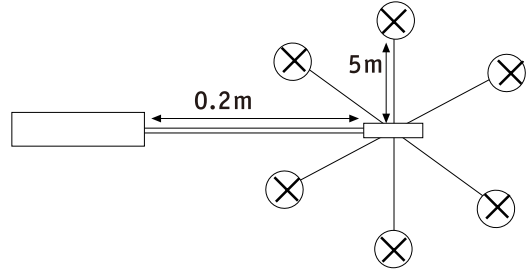
LED Power Supply
Art.Nr.: 987.54 (987.57, 987.58,
987.94, 987.97, 937.01)

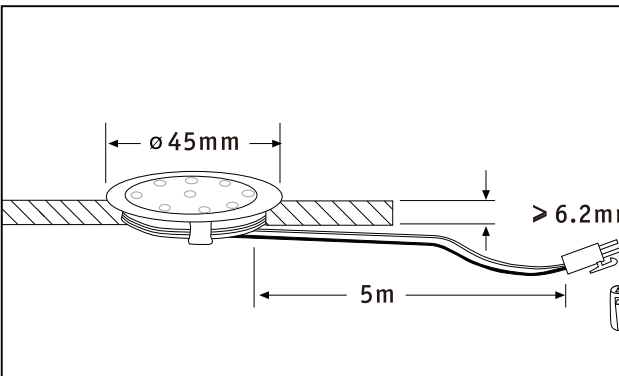
IP20



12V-DC

Transfo





1

7 mm
14 mm

2

N
L

230V
N
230V

A1

$\varnothing 38-39\text{mm}$

B1

C1

✓

D1

„CLICK“

