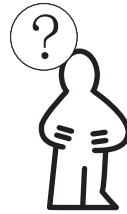


ECO

Safety Instructions



1, 2, 3, 4, 5, 6, 7,
9, 11, 12, 13, 14, 15,
16, 17, 18, 19, 21, 22,
23, 25, 28b, 30, 31, 34,

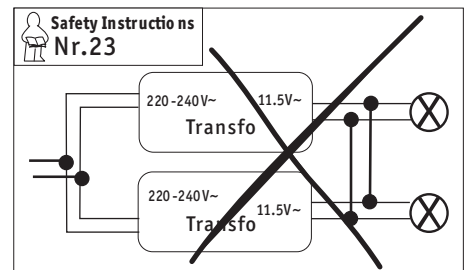
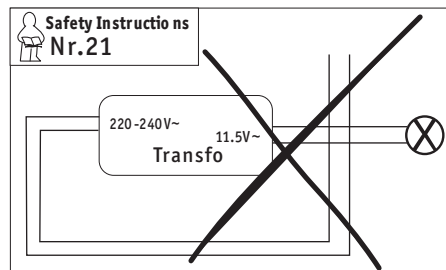
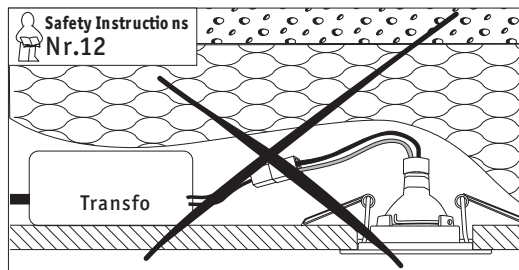
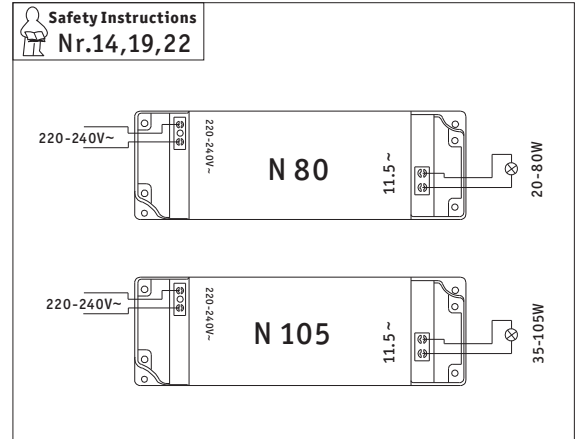
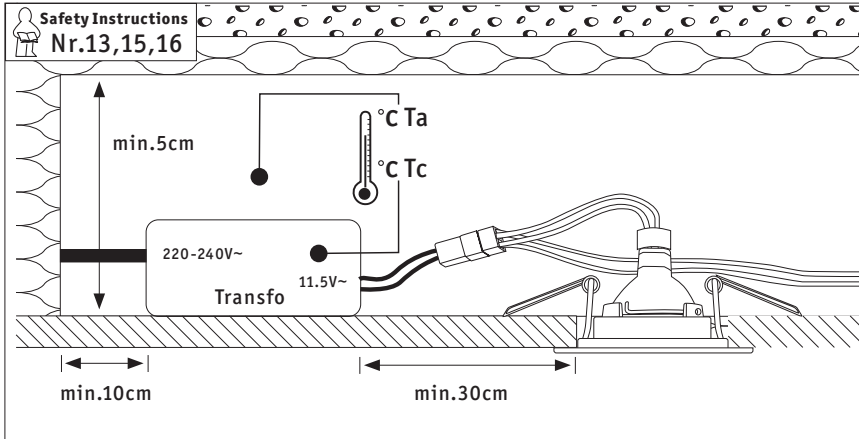


Paulmann Licht GmbH
31832 Springe/Germany
WWW.paulmann.com

Art.-Nr.:

97772
97702

(+MA 197)
PDG 11/10



Transfo 80/105VA	
<input type="checkbox"/> R,L,C <input checked="" type="checkbox"/> R,C	Safety Instructions Nr.28a/b Ta: -20...+50 °C 80VA TC: +80 °C 105VA TC: +85 °C
<input checked="" type="checkbox"/> H03VVH2-F 2x0.75mm ²	<input checked="" type="checkbox"/> H05VVH2-F 2x1.0mm ²

