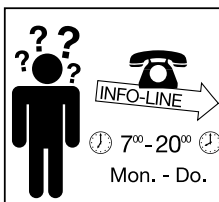
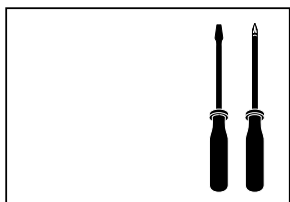


SAFETY INSTRUCTIONS

SAFETY INSTRUCTIONS



1, 2, 4, 5, 6, 7, 13, 14, 15,
16, 18, 19, 20, 21, 22, 23,
24, 25, 28a, 28b, 29, 30,
31, 34

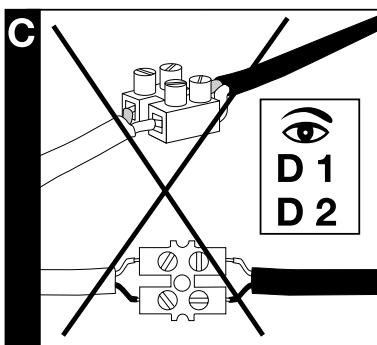
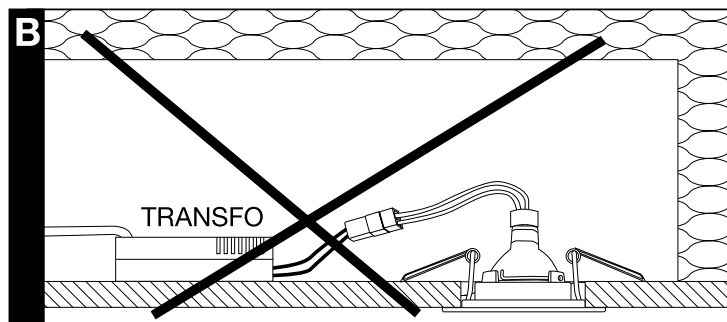
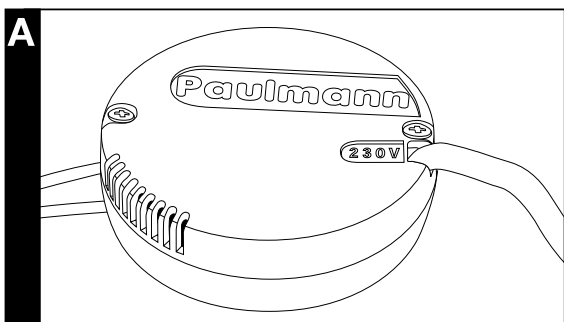


PAULMANN LICHT GmbH
Quezinger Feld 2 • D-31832 Springe
www.Paulmann.com

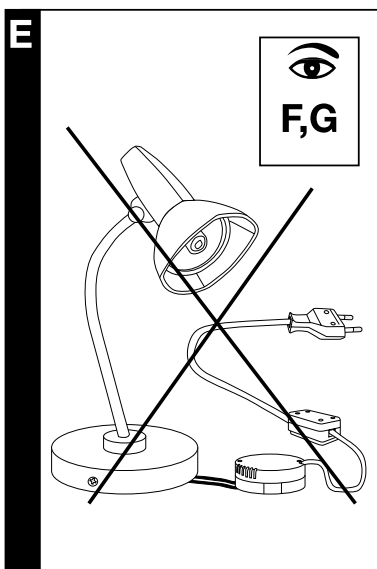
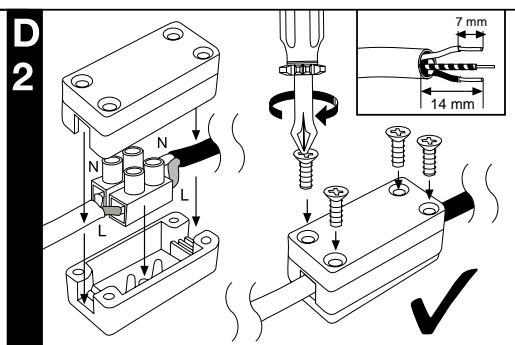
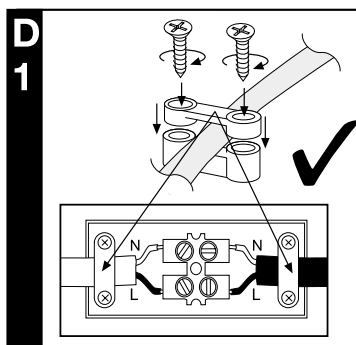
☎ +49 (0) 5041 998 389

🕒 7⁰⁰ - 20⁰⁰
Mon. - Do.

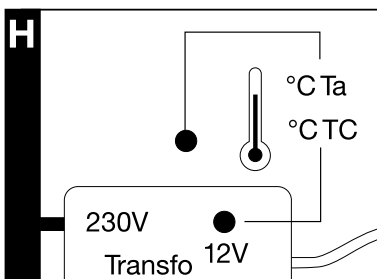
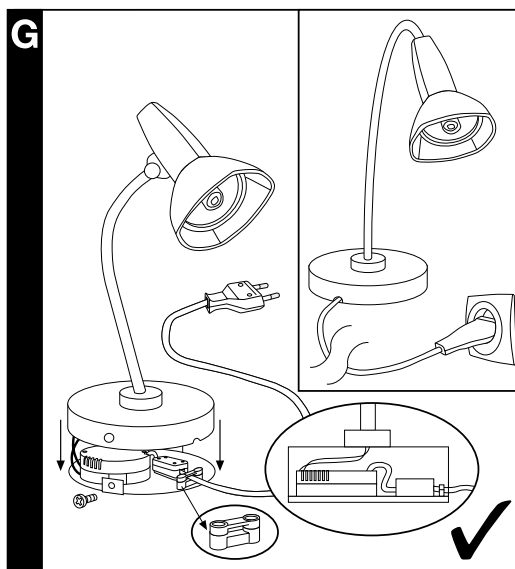
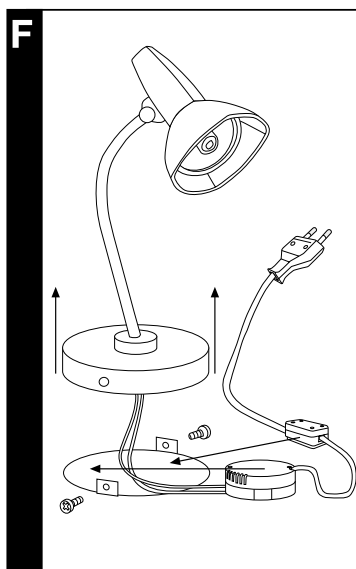
🕒 7⁰⁰ - 17⁰⁰
Fr.



👁️
D1
D2



👁️
F,G



I

| | | |
|---|--|------------------------------------|
| ✓ | | SAFETY INSTRUCTIONS Nr.28a/b !! |
| ✓ | | SAFETY INSTRUCTIONS Nr.28a !! |

97728, 70VA: Ta= -20...+40°C
97729, 105VA: Ta= -20...+45°C

97728, 70VA: Tc = 80°C
97729, 105VA: Tc = 90°C