



1, 2, 3, 4, 5, 6, 7,
9, 11, 12, 13, 14, 15,
16, 17, 18, 19, 21, 22,
23, 25, 28, 30, 31, 34,



Info Hotline

+49 (0) 5041 998 389

Mon.-Do. 7⁰⁰ - 20⁰⁰

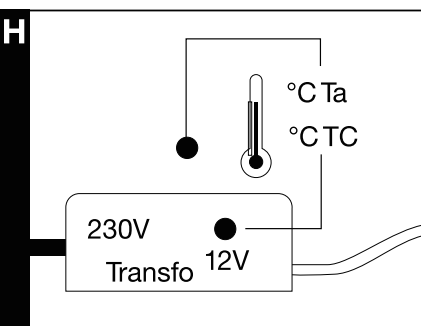
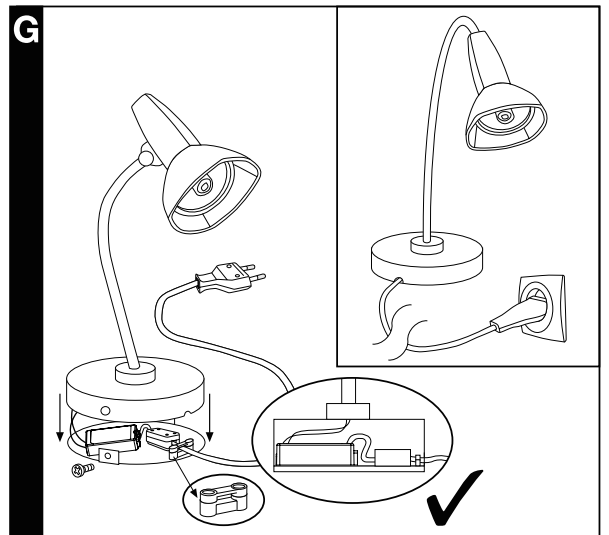
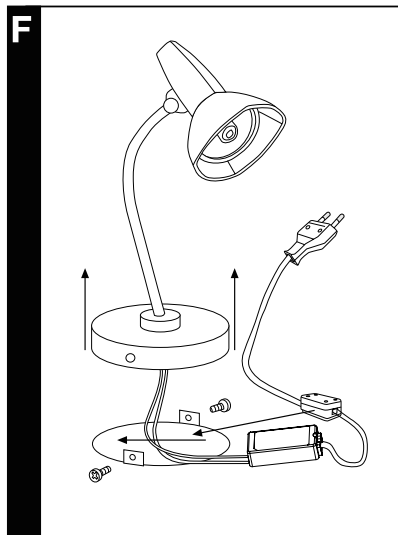
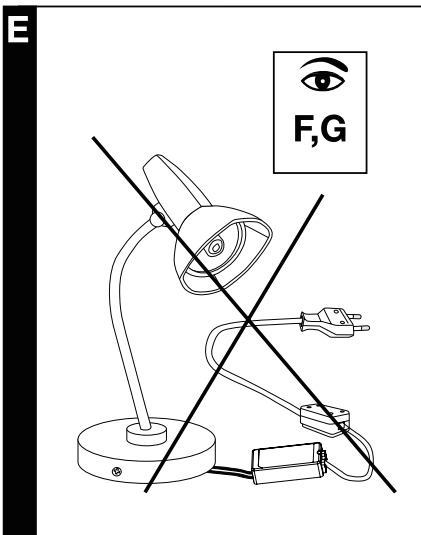
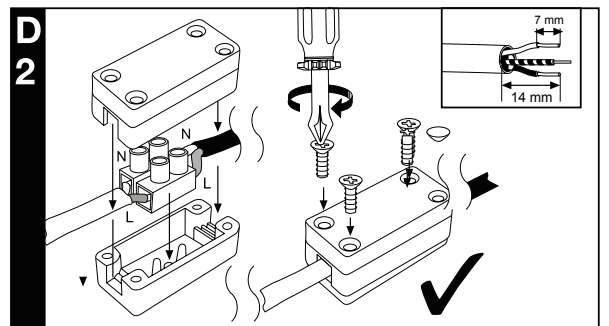
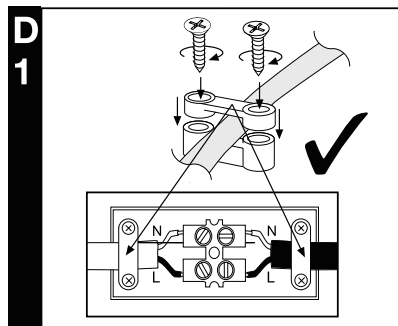
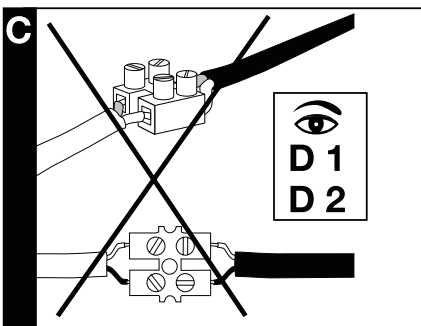
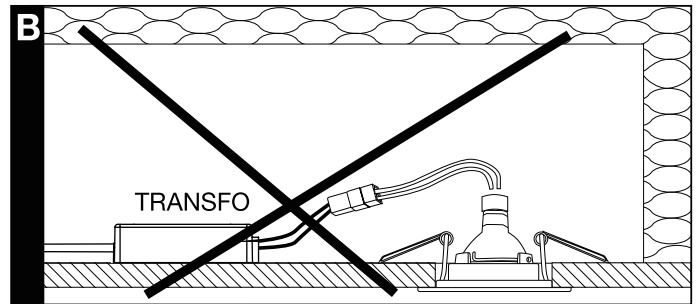
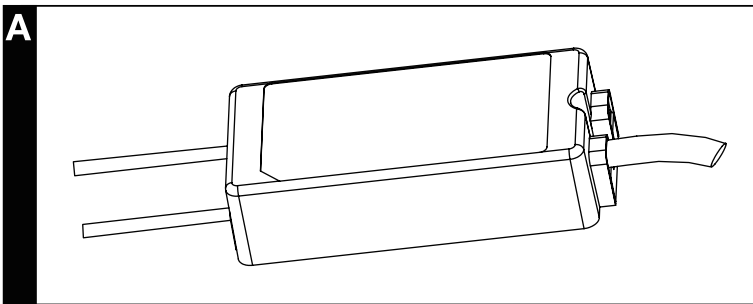
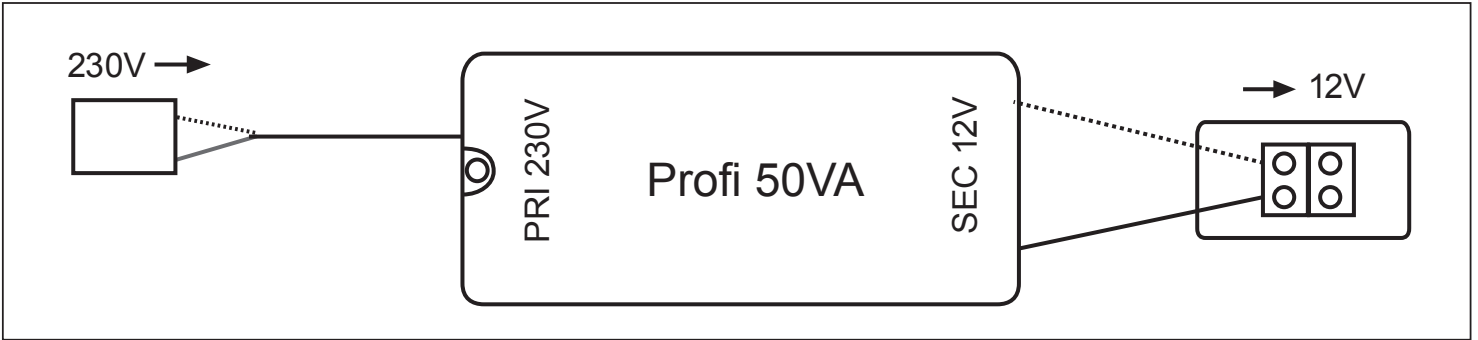
Fr. 7⁰⁰ - 17⁰⁰







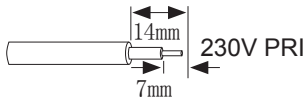
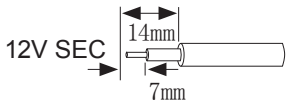


Paulmann Licht GmbH
31832 Springe/ Germany
www.paulmann.com

Art.-Nr.:
977.36

(+MA 197)
PDG 08/09



<input checked="" type="checkbox"/>		 Safety Instructions Nr. 28a/b	 Ta: -20...+50°C
<input type="checkbox"/>		 Safety Instructions Nr. 28a	 TC: +75°C
 <p>230V PRI</p> <p><input checked="" type="checkbox"/> H03VVH2-F 2 × 0.75mm²</p>		 <p>12V SEC</p> <p><input checked="" type="checkbox"/> H03VVH2-F 2 × 0.75mm²</p>	