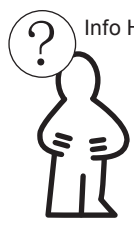




# Safety Instructions



1, 2, 3, 4, 5, 6, 7,  
9, 11, 12, 13, 14, 15,  
16, 17, 18, 19, 21, 22,  
23, 25, 28, 30, 31, 34,



Info Hotline

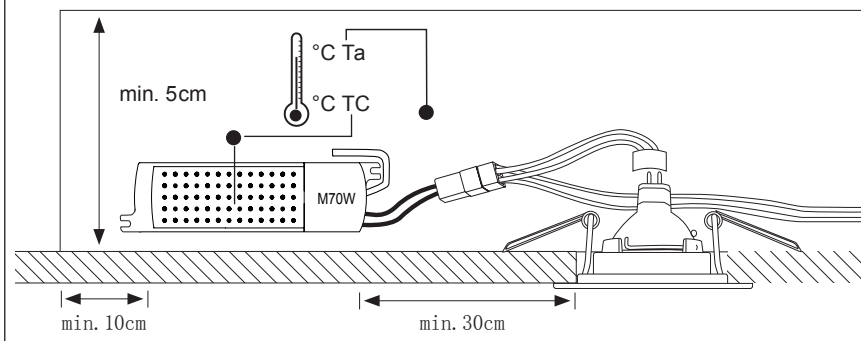
+49 (0) 5041 998 389  
Mon.-Do. 7<sup>00</sup>-20<sup>00</sup>  
Fr. 7<sup>00</sup>-17<sup>00</sup>

Paulmann Licht GmbH  
31832 Springe/ Germany  
www.paulmann.com

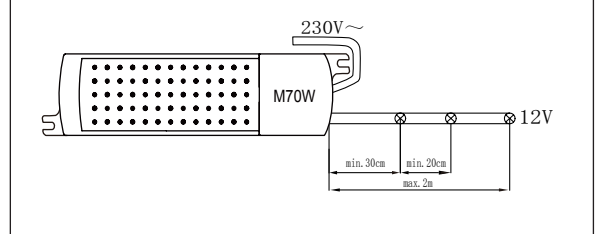
Art.-Nr.:  
977.51

(+MA 197)  
PDG 08/09

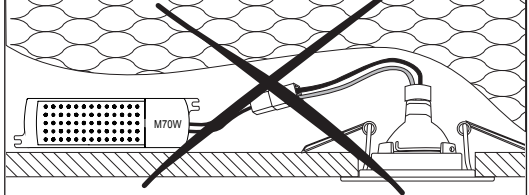
Safety Instructions  
Nr. 13, 15, 16



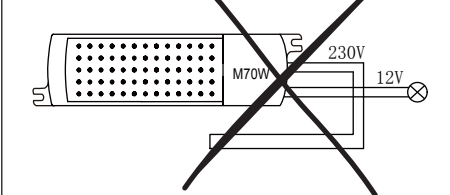
Safety Instructions  
Nr. 14, 19, 22



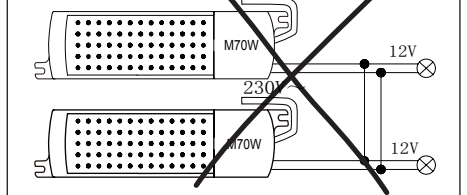
Safety Instructions  
Nr. 12



Safety Instructions  
Nr. 21

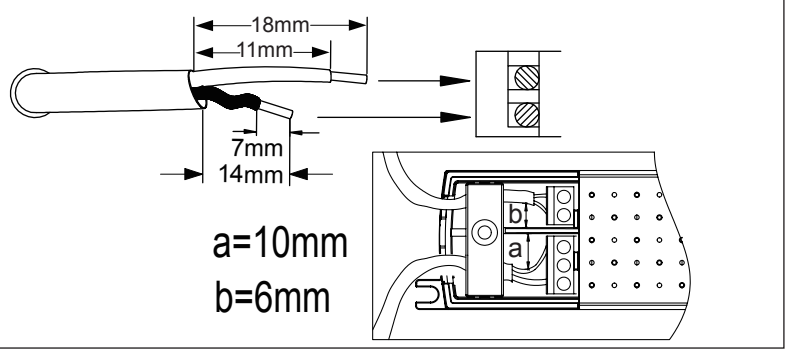
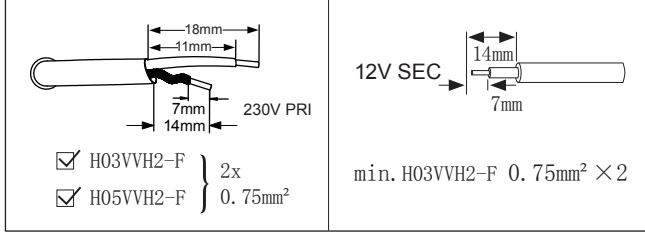


Safety Instructions  
Nr. 23



## Transfo Mipro 70VA

<input checked="" type="checkbox"/>		Safety Instructions Nr. 28a/b	Ta: -20...+50°C	<input type="checkbox"/>
<input type="checkbox"/>		Safety Instructions Nr. 28a	TC: +80°C	<input type="checkbox"/>



- H03VVH2-F } 2x
- H05VVH2-F } 0.75mm<sup>2</sup>

min. H03VVH2-F 0.75mm<sup>2</sup> x 2