

## Safety Instructions



0,1,3,4,5b,6,7,8,9,10,11,  
12,13,15,16,17,19,20,21,  
22,23,25



Info Hotline

+49 (0) 5041 998 389

Mon. - Do. 7<sup>00</sup> - 20<sup>00</sup>

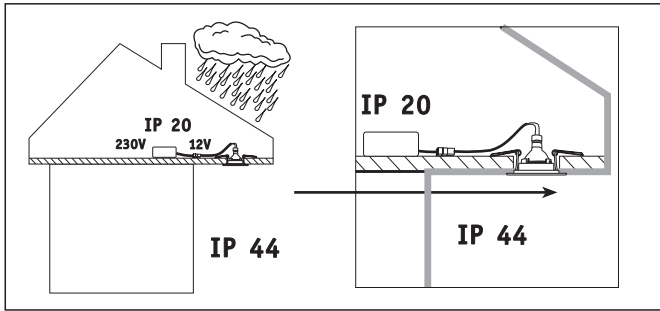
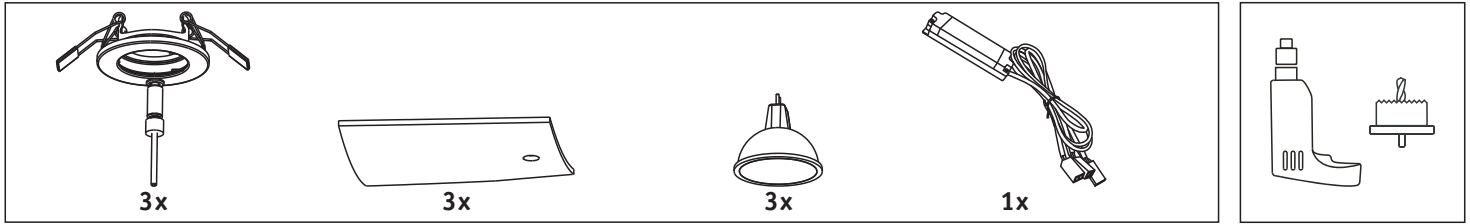
Fr. 7<sup>00</sup> - 17<sup>00</sup>

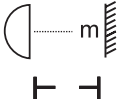

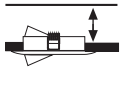

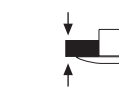
Paulmann Licht GmbH  
31832 Springe / Germany  
www.paulmann.com

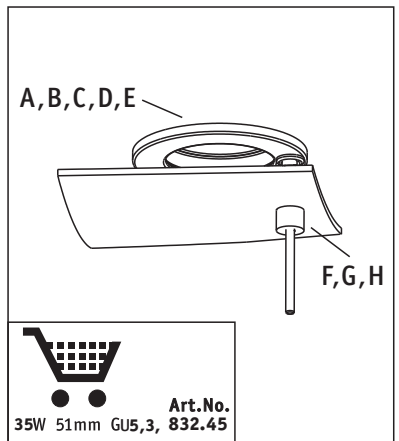
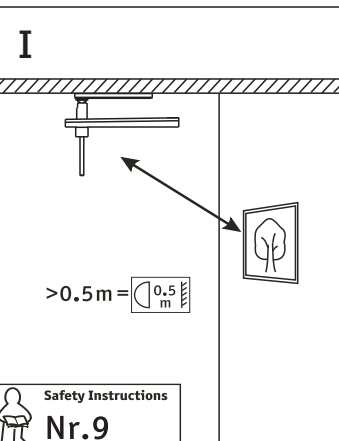
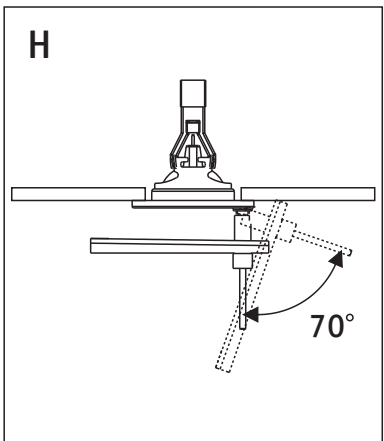
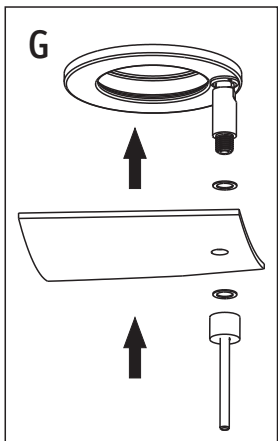
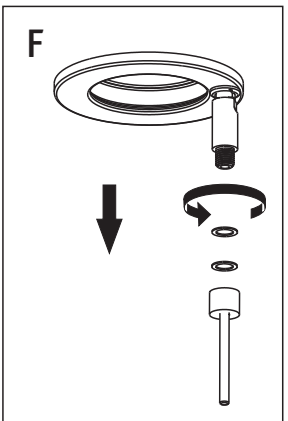
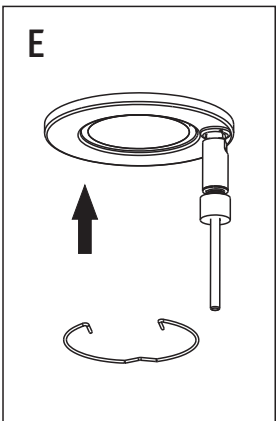
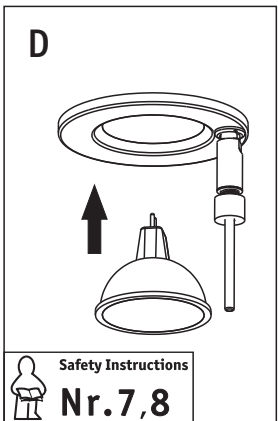
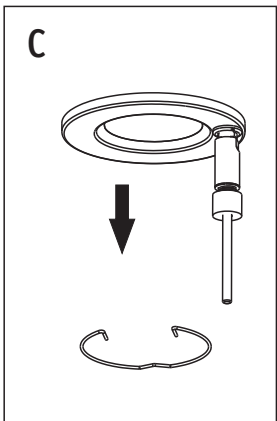
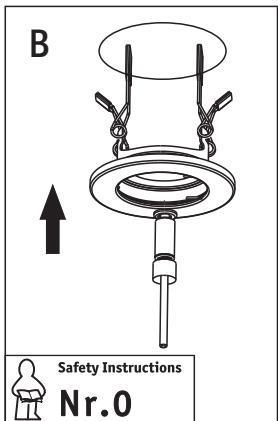
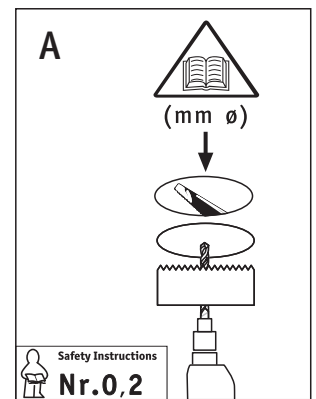
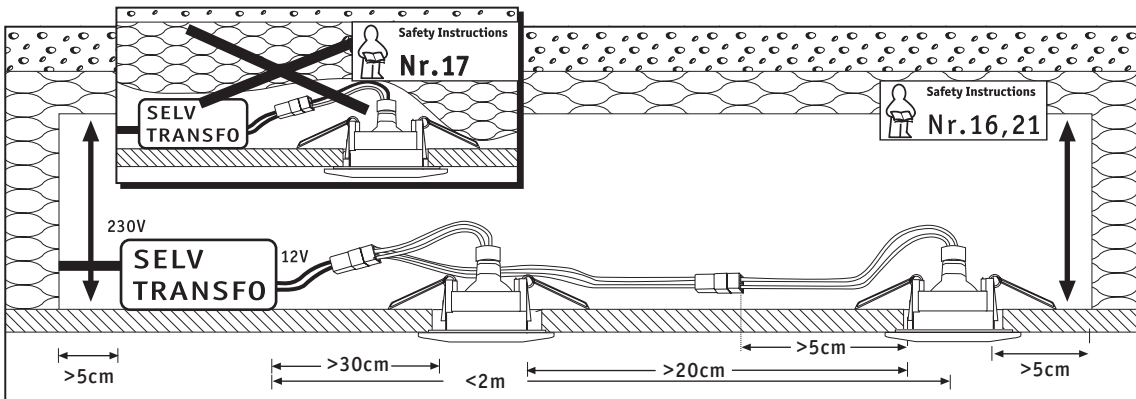
Art.-Nr.:  
**980.74**

(+MA 173)

PH 08/10



				
[ m ]	[ mmø ]	[ mm ]	[ cm ]	[ mm ]
0,5	73	>60	≥20	3-20



 Art.No.  
35W 51mm GU5,3, 832.45