



Safety Instructions



0,1,4,5b,6,7,8,9,10,11
12,15,16,17,19,20,21
22,23,25

Info Hotline +49 (0) 5041 998 389

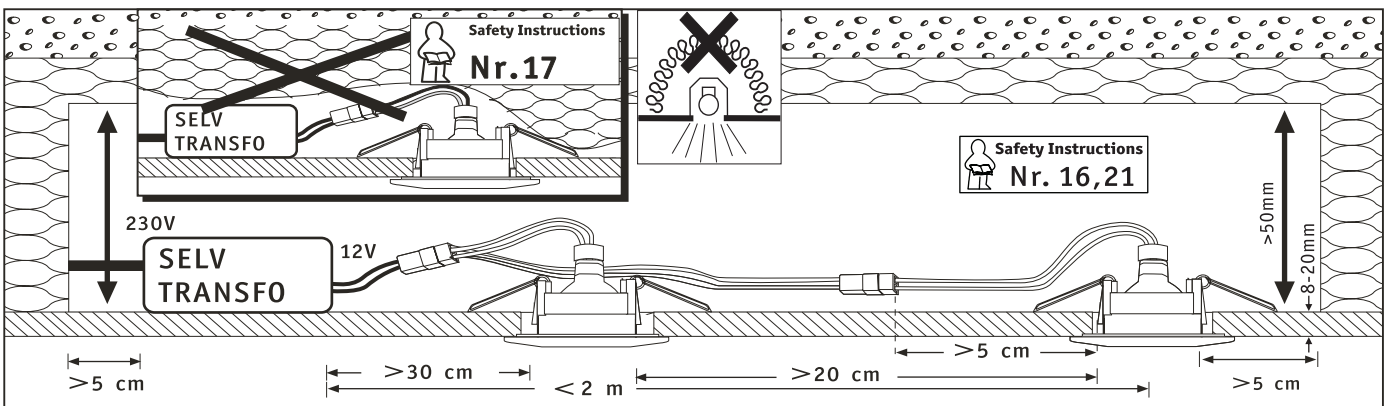
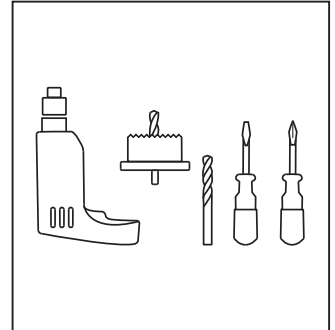
Mon. - Do. 7⁰⁰ - 20⁰⁰
Fr. 7⁰⁰ - 17⁰⁰



Paulmann Licht GmbH
31832 Springe / Germany
www.paulmann.com

Art.-Nr.:
983.36/44/46
983.64/66
986.40
986.309/609
(+MA 173)
PBO 07/12

983.36 983.46 983.66	incl.	983.44 983.64	incl.	986.40 986.309 986.609	
3x 3x 3x 1x		6x 6x 6x 2x		1x 1x	



	$< 90^{\circ}\text{C}$	A Safety Instructions Nr. 0,1 (Ø 64mm) 	B Safety Instructions Nr. 0,4 230V
	Security [W]		
	35 [mm]		

C 	D 	E Safety Instructions Nr. 7,8 	F Safety Instructions Nr. 7,8
--------------	--------------	---	---

A, B, C, D, E, F $> 0,5\text{m} = \begin{matrix} 0,5 \\ \text{m} \end{matrix}$ Safety Instructions Nr. 9	Security	°C 	20% ↑ } ❄️ 80% ↓ } ⚡️+	Art. No. 20W 35mm GU4 832.47 35W 35mm GU4 832.48
		°C 	60% ↑ } ⚡️+ 40% ↓ } ❄️	