



Safety Instructions



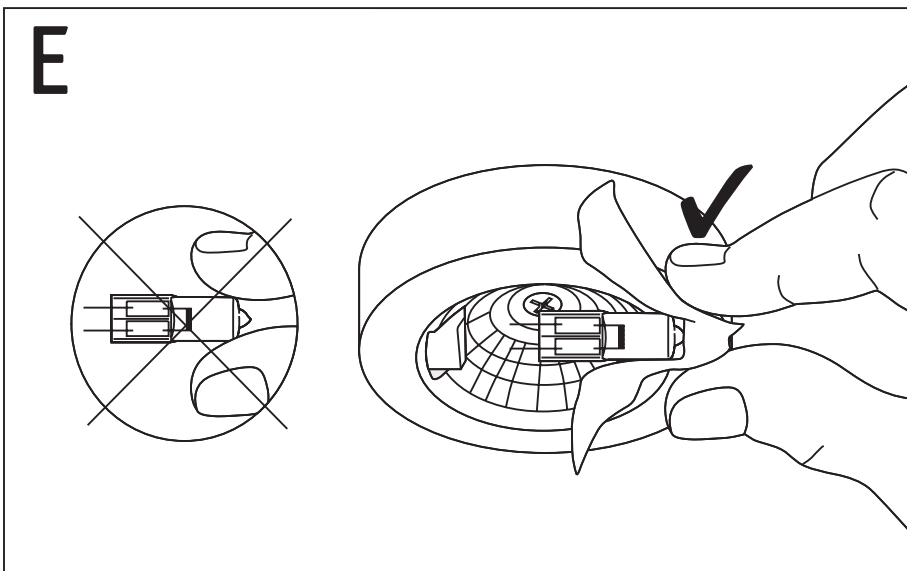
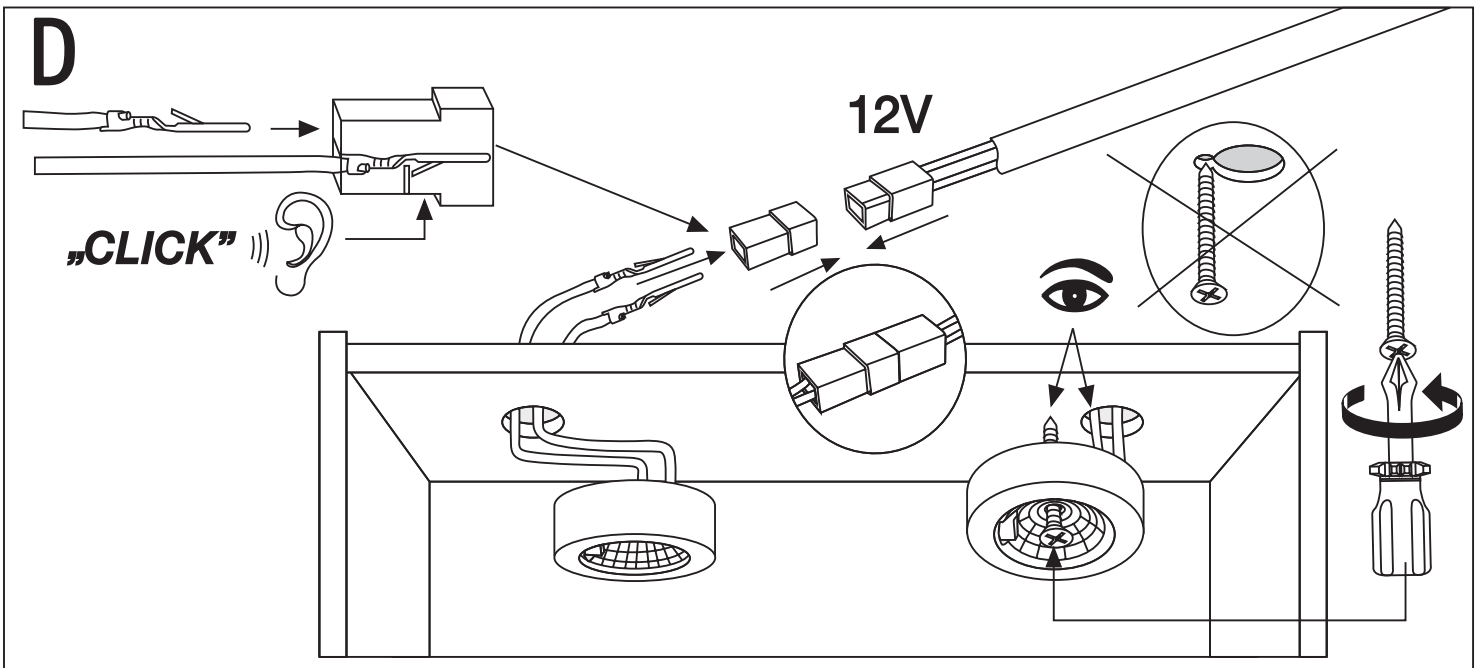
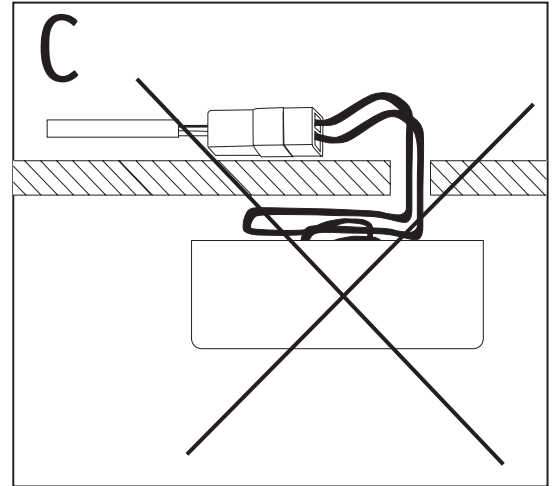
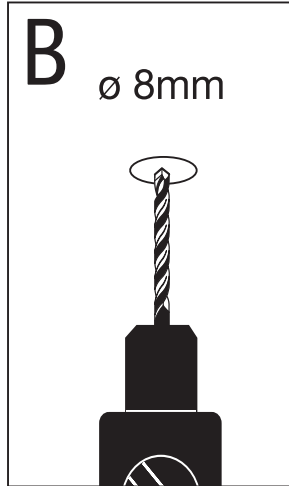
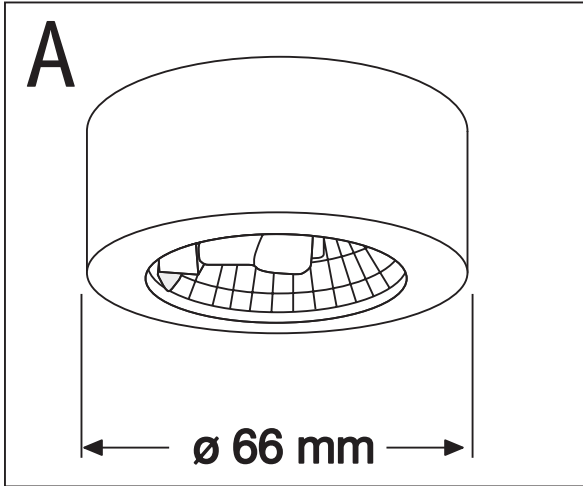
0,1,3,4,5b,6,7,8,9,10
11,12,13,15,16,17,19
20,21,22,23,25



+49(0) 5041 998 389
Mon.-Do. 7⁰⁰-20⁰⁰
Fr. 7⁰⁰-17⁰⁰



Paulmann Licht GmbH
31832 Springe / Germany
www.paulmann.com



10W G4 831.109
20W G4 831.209

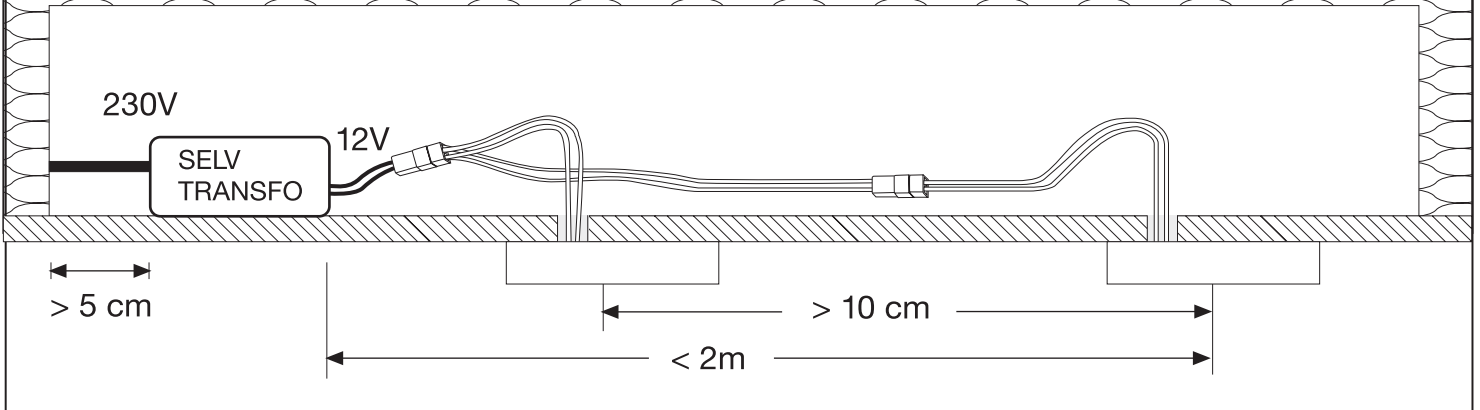


gold 10W G4 831.179
20W G4 831.279



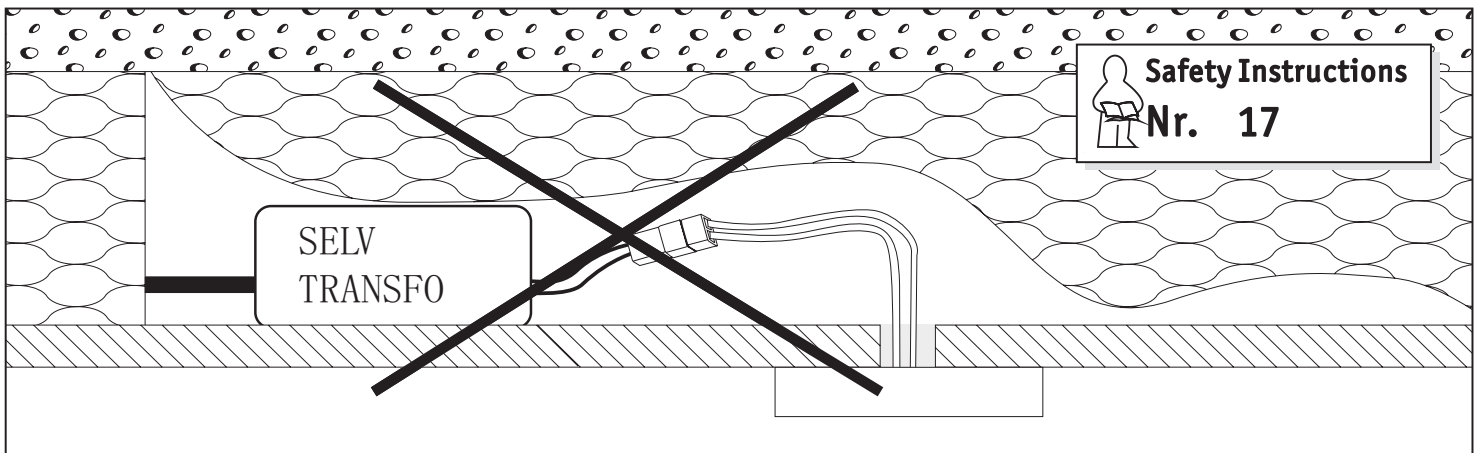
Safety Instructions

Nr. 16,21



Safety Instructions

Nr. 17



Safety Instructions

Nr. 9

