



# Safety Instructions



0, 1, 3, 5a, 6, 7, 8, 9, 11, 13,  
14, 15, 16, 17, 18, 19, 20,  
21, 22, 23, 24



Info Hotline

+49 (0) 5041 998 389

Mon. - Do. 7<sup>00</sup> - 20<sup>00</sup>

Fr. 7<sup>00</sup> - 17<sup>00</sup>

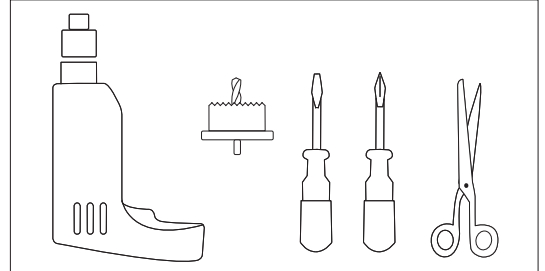
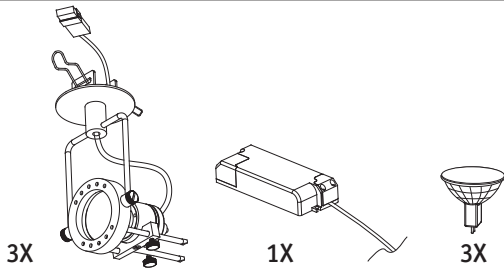


Paulmann Licht GmbH  
31832 Springe / Germany  
www.paulmann.com

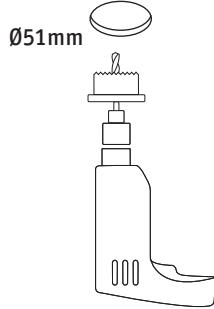
Art.-Nr.:  
**98902**

(+MA 173)

PEA 09/09

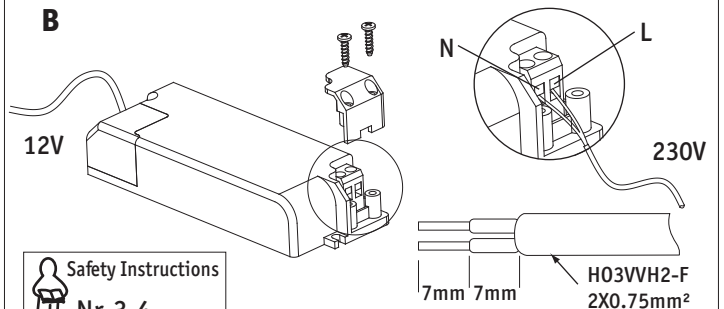


**A**



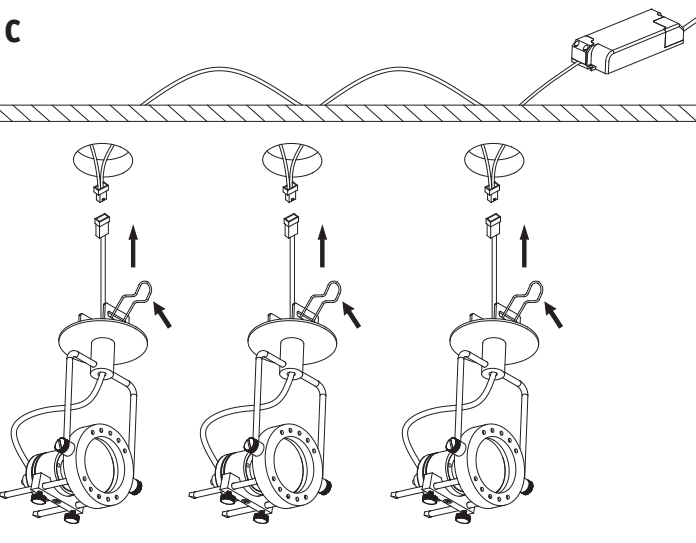
Safety Instructions  
Nr.0

**B**

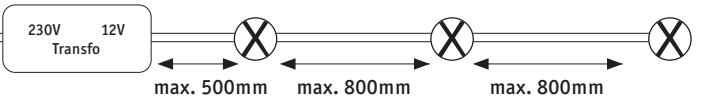
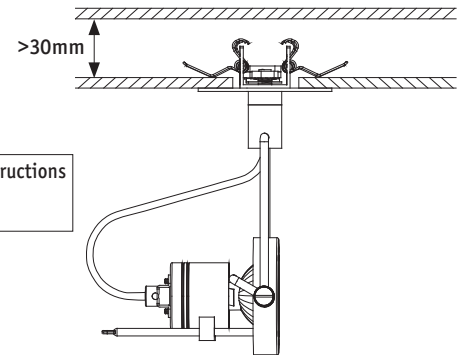


Safety Instructions  
Nr.3,4

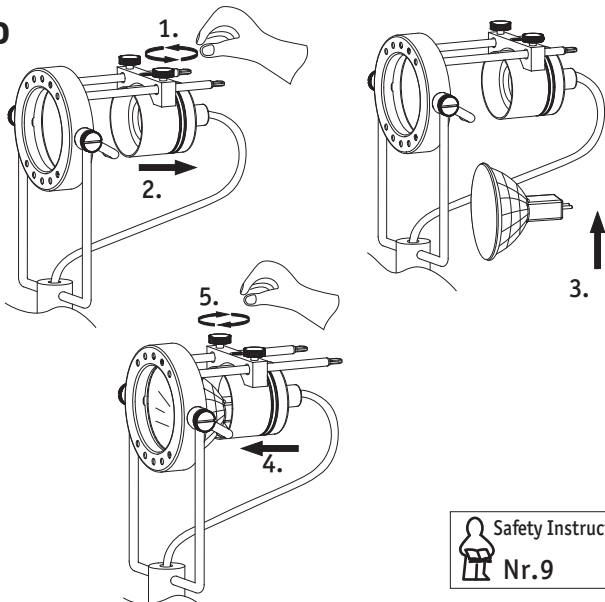
**C**



Safety Instructions  
Nr.3

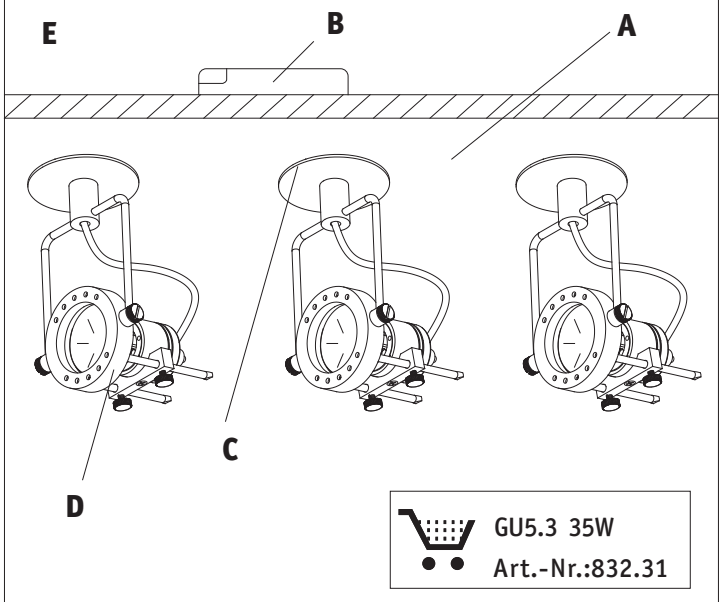


**D**



Safety Instructions  
Nr.9

**E**



GU5.3 35W  
Art.-Nr.:832.31