

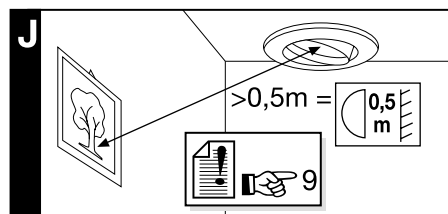
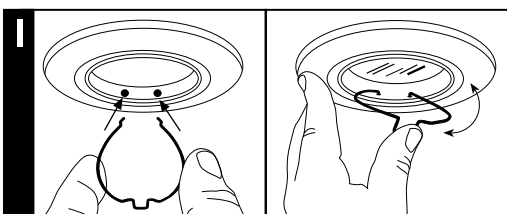
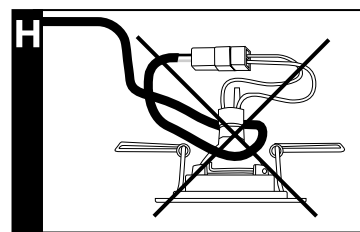
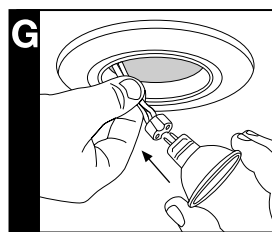
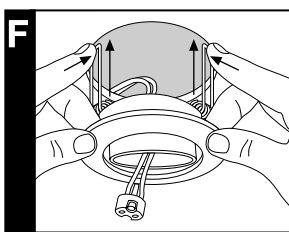
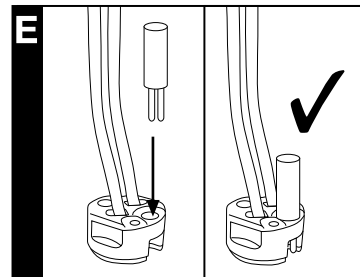
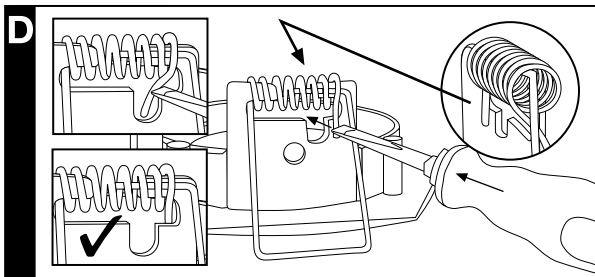
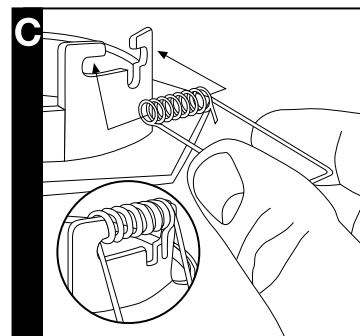
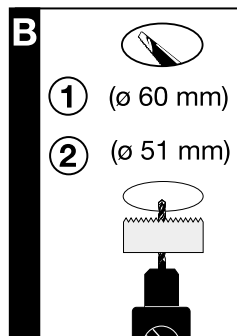
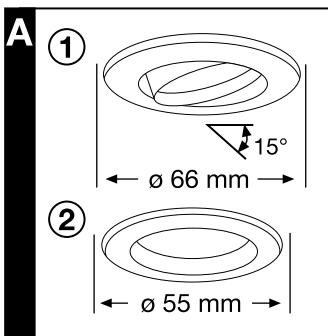
Safety Instructions

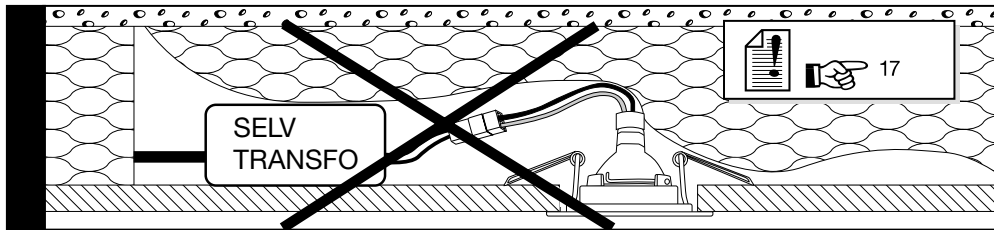
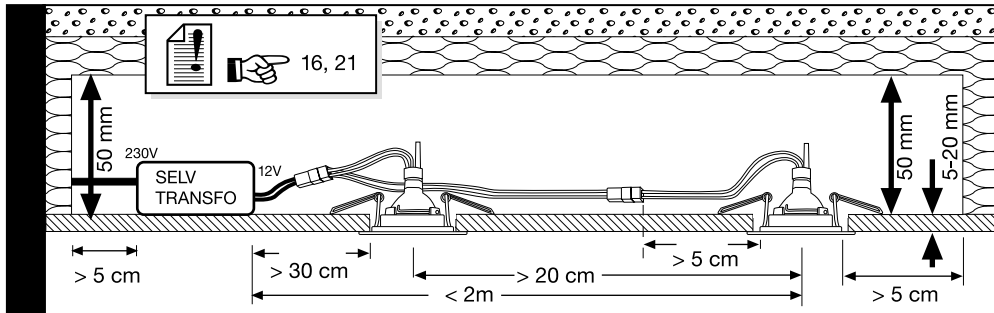
0, 1, 2, 4, 5b, 7, 8, 9,
11, 12, 15, 16, 17, 19,
20, 21, 23, 25, 29



Paulmann Licht GmbH
Quezinger Feld 2
D-31832 Springe
www.paulmann.com

INFO-LINE +49 (0) 5041 998 389
Mon.-Do. ☎ 7⁰⁰ - 20⁰⁰
Fr. ☎ 7⁰⁰ - 17⁰⁰





<p>Paulmann SECURITY</p>	<p>°C</p>	<p>20 % 80 %</p>	<p>Art. No. 20 W 35mm GU4 822.21 35 W 35mm GU4 822.31</p>
	<p>°C</p>	<p>60 % 40 %</p>	

