

# P

Paulmann

## Safety Instructions



0,1,2,4,5b,7,8,9,  
11,12,15,16,17,19,  
20,21,23,25,29



Info Hotline

+49 (0) 5041 998 389

Mon. - Do. 7<sup>00</sup> - 20<sup>00</sup>

Fr. 7<sup>00</sup> - 17<sup>00</sup>

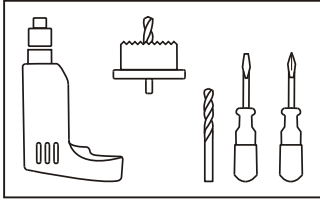


Paulmann Licht GmbH  
31832 Springe / Germany  
www.paulmann.com

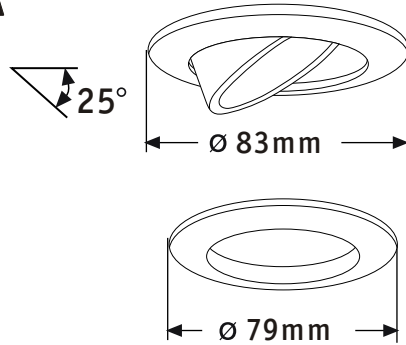
Art.-Nr.:  
507000315

(+MA 173)

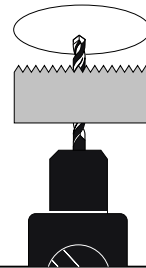
PBO 10/09



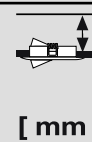
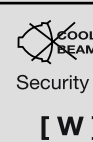
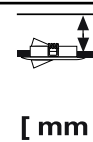
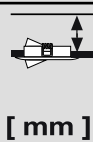
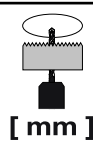
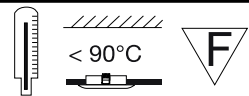
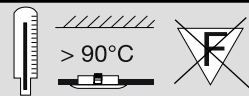
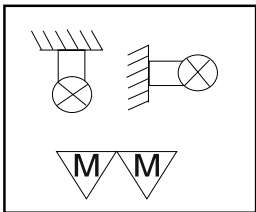
**A**



**B**



**C**



[ mm ]

Security [ W ]

[ mm ]

Security [ W ]

[ mm ]

Security [ W ]

[ mm ]



68

50

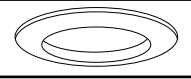
60

35

60

50

90



70

50

60

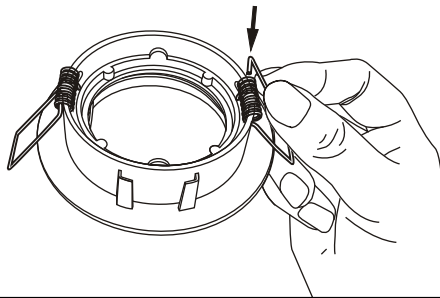
35

60

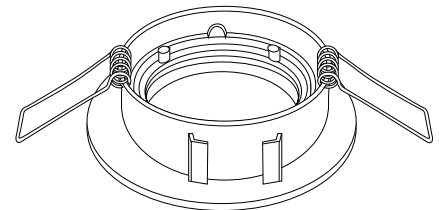
50

90

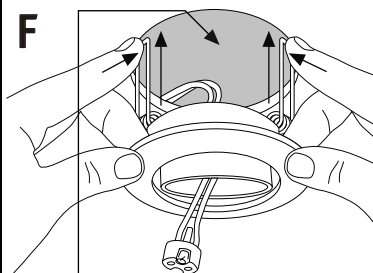
**D**



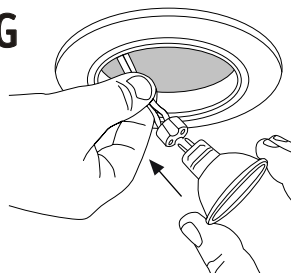
**E**



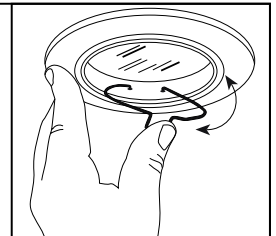
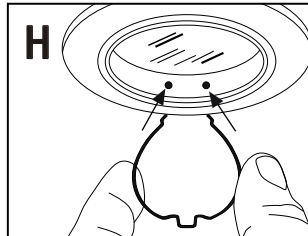
**F**



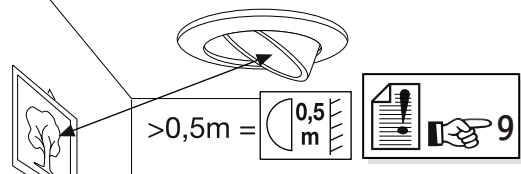
**G**



**H**

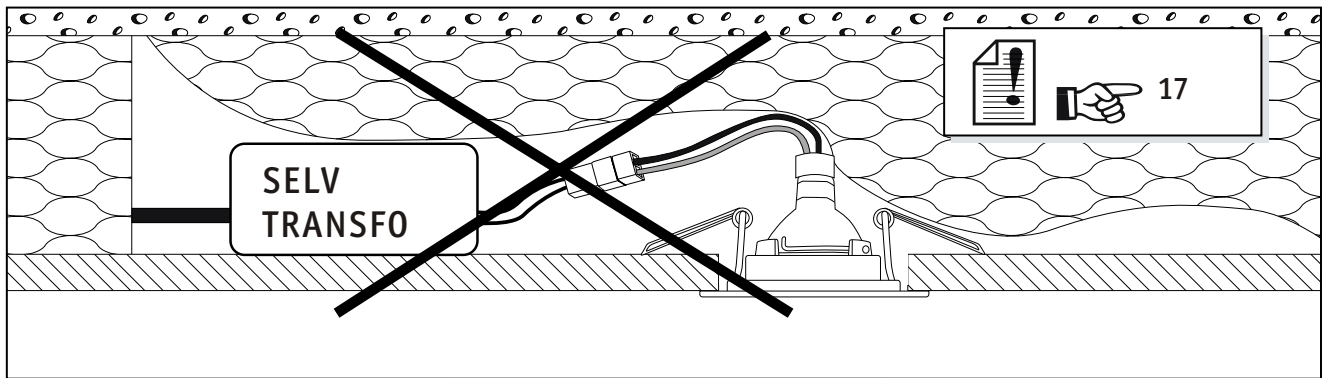
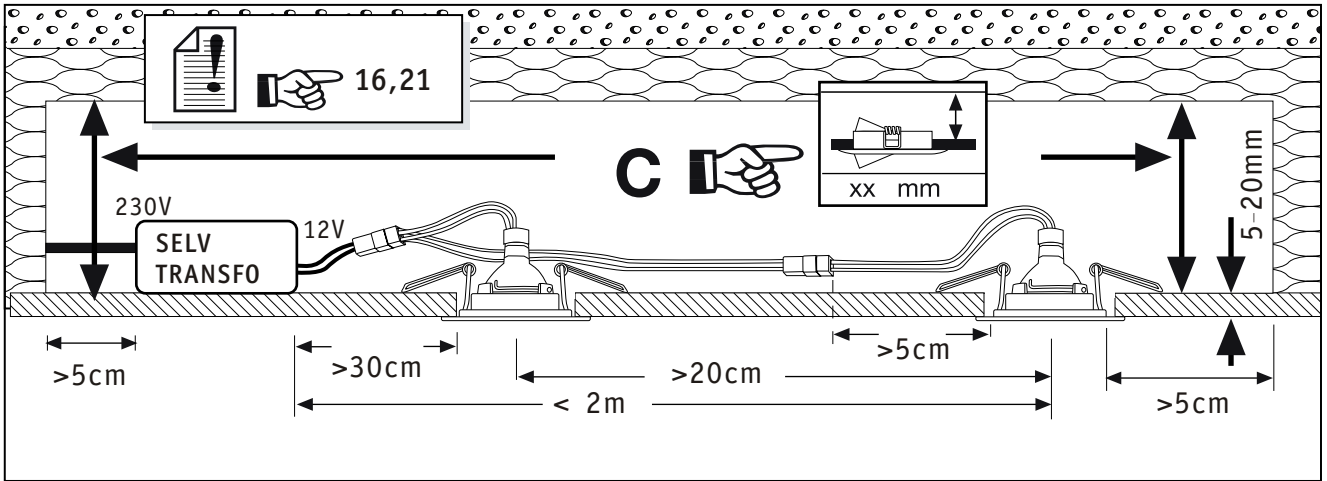



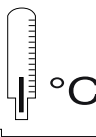
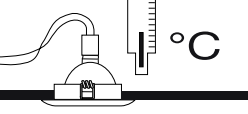




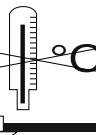
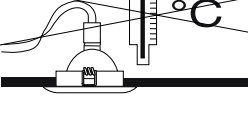

**I**



> 0,5m = 0,5m





 <b>Paulmann</b> <b>SECURITY</b>	 °C 	  20 % 80 %	 Art.No.: 20W51mmGU5,3 832.21 35W51mmGU5,3 832.31 50W51mmGU5,3 832.51
 <b>COOL BEAM</b>	 °C 	 60 % 40 %	

