

SAFETY INSTRUCTIONS

SAFETY INSTRUCTIONS



0, 1, 2, 4, 6, 7, 8, 9, 11,
15, 17, 18, 19, 22



PAULMANN LICHT GmbH
Quezinger Feld 2 · D-31832 Springe
www.paulmann.com

+49(0)5041 998 389

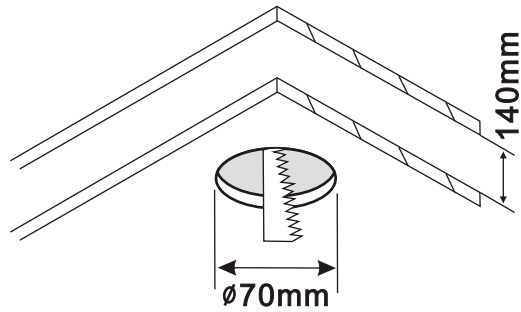
7^h - 20^h

7^h - 17^h

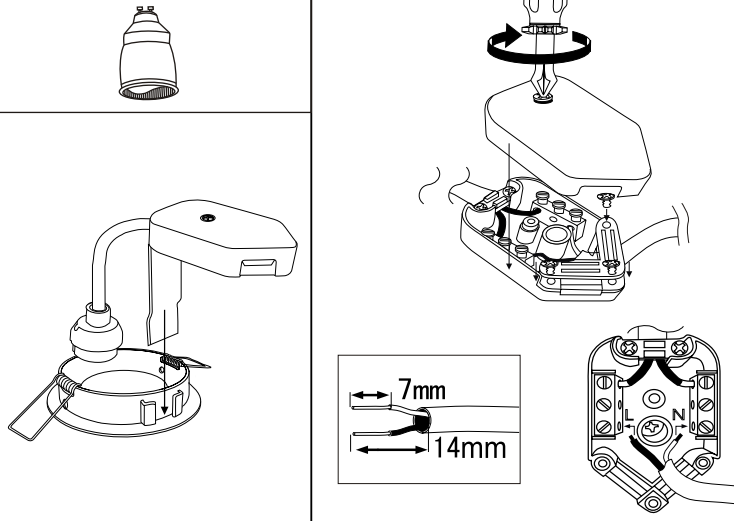
Mo. - Do.

Fr.

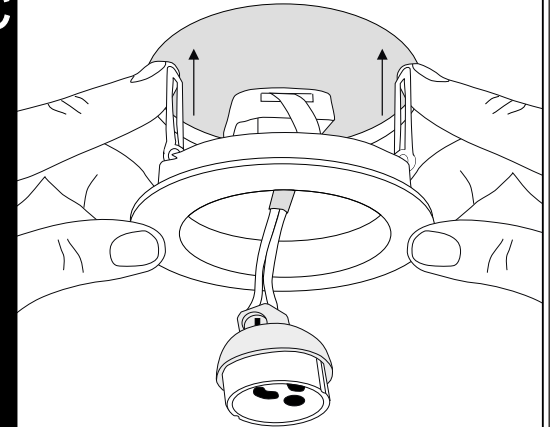
A



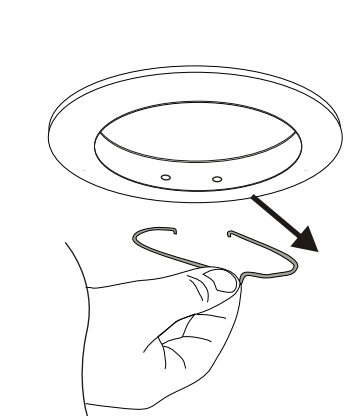
B



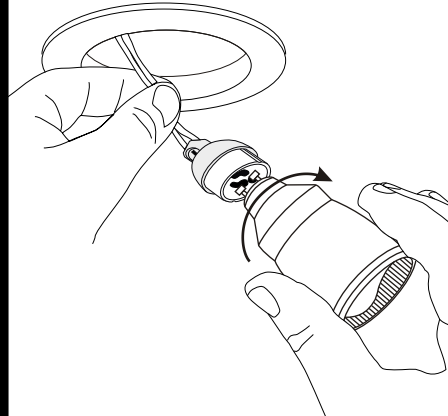
C



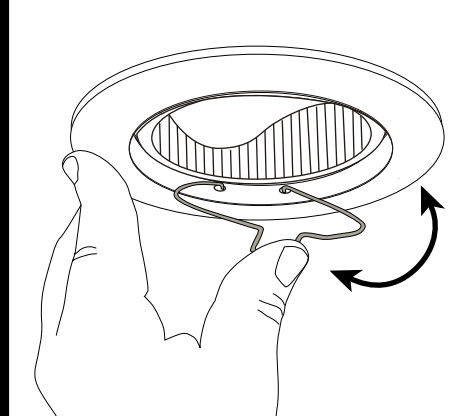
D



E



F



G

