

**SAFETY INSTRUCTIONS**

## SAFETY INSTRUCTIONS



0, 1, 2, 4, 6, 7, 8, 9, 11,  
15, 17, 18, 19, 22



**PAULMANN LICHT GmbH**  
Quezinger Feld 2 · D-31832 Springe  
[www.paulmann.com](http://www.paulmann.com)

+49(0)5041 998 389

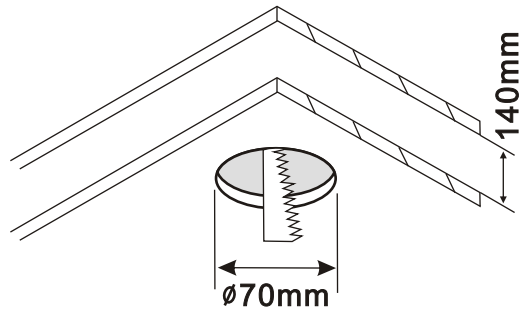
7<sup>h</sup> - 20<sup>h</sup>

7<sup>h</sup> - 17<sup>h</sup>

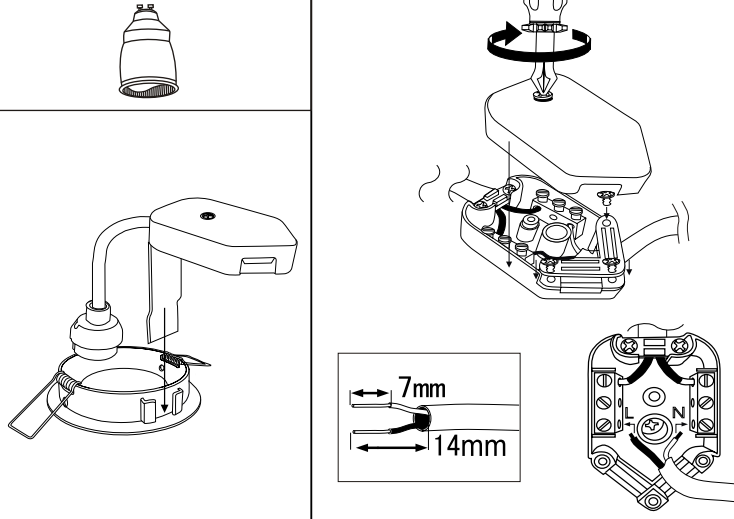
Mo. - Do.

Fr.

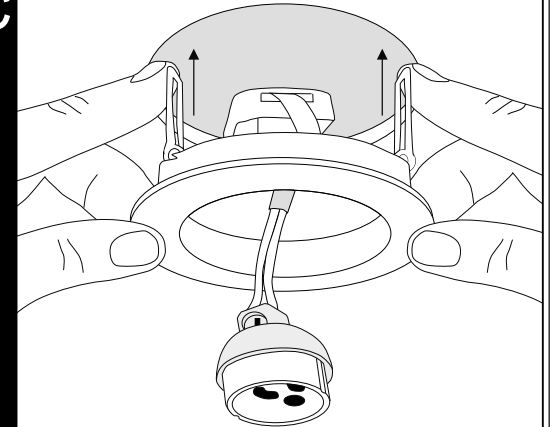
**A**



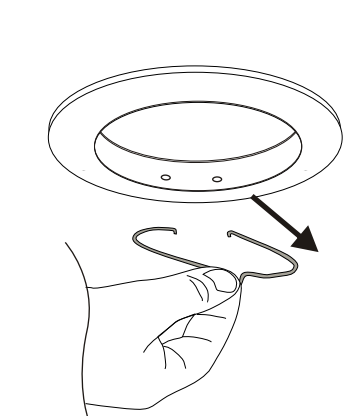
**B**



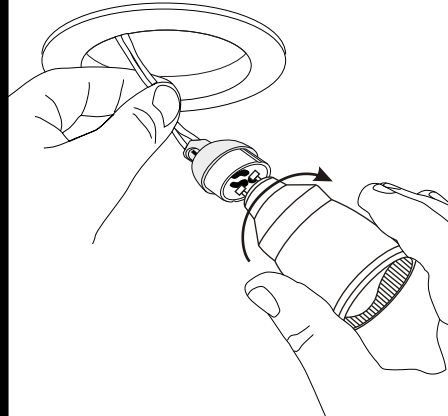
**C**



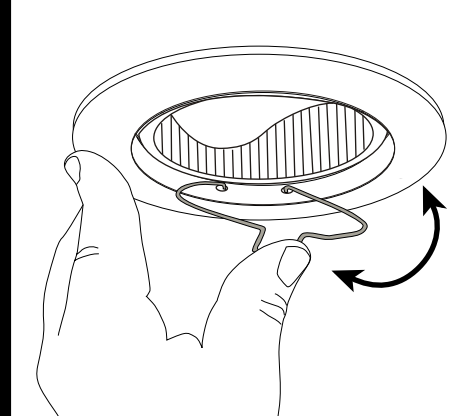
**D**



**E**



**F**



**G**

