

## Safety Instructions



0,1,2,3,4,5,6,8,10,13,  
14,15,16,17,19,21



Info Hotline 

+49 (0) 5041 998 389

Mon. - Do. 7<sup>00</sup> - 20<sup>00</sup>

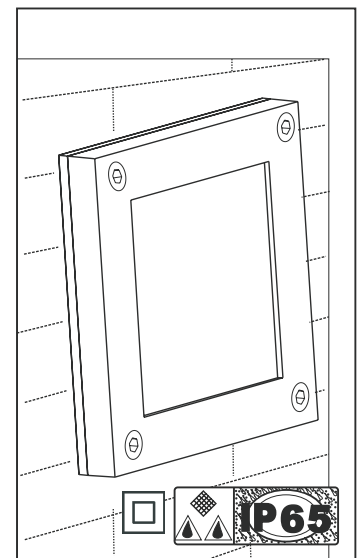
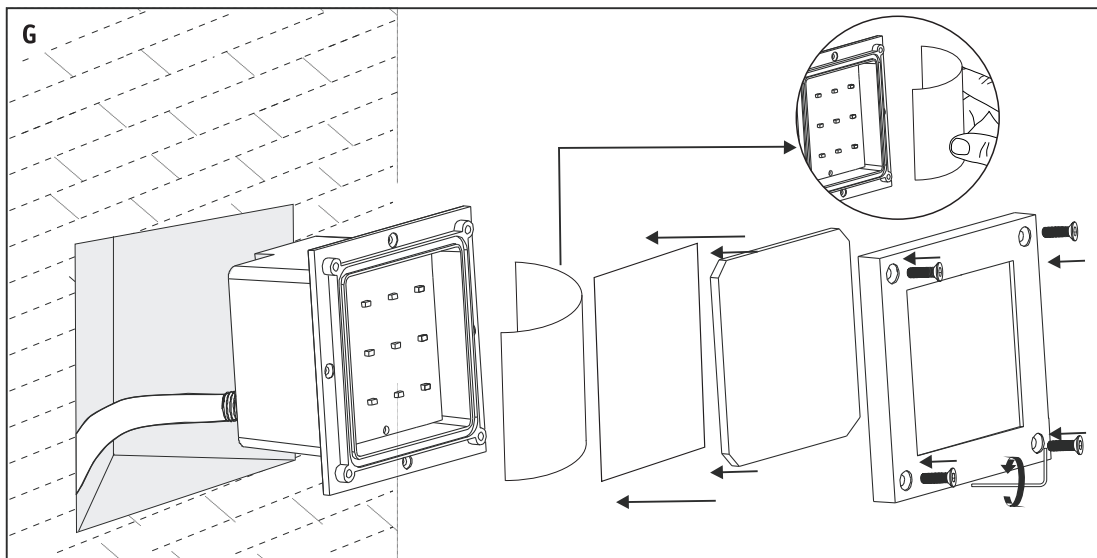
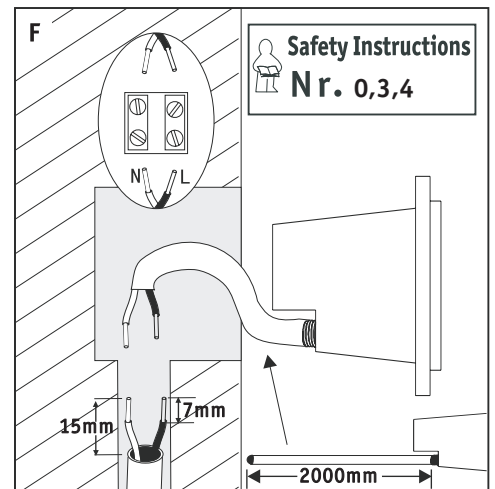
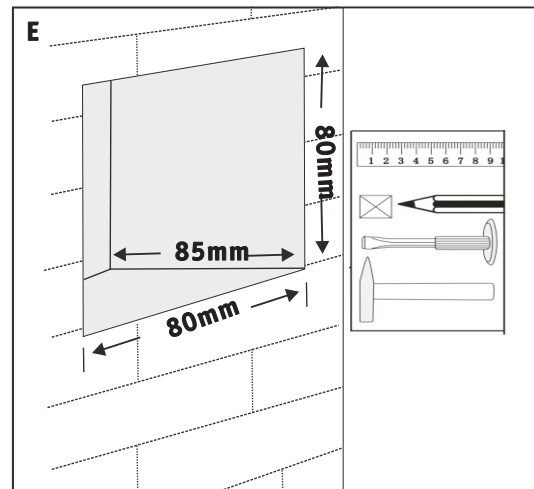
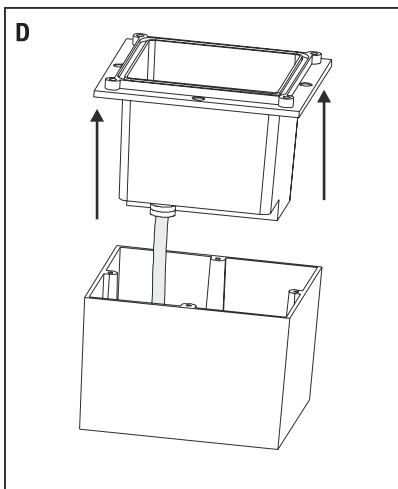
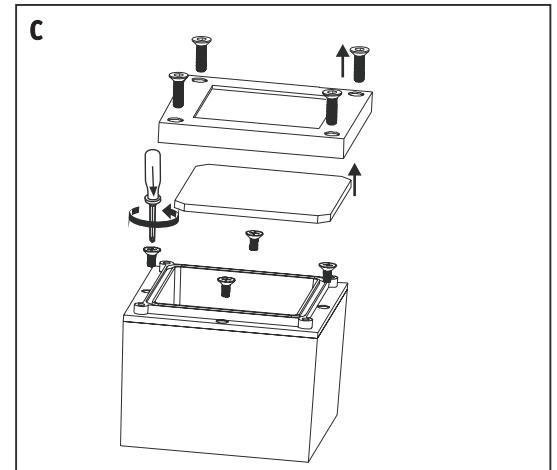
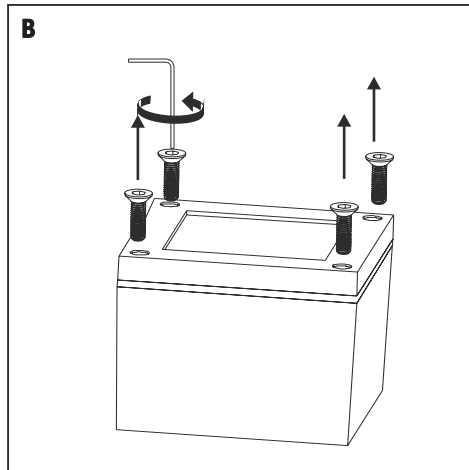
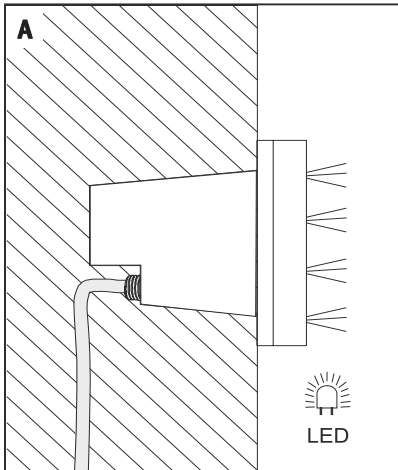
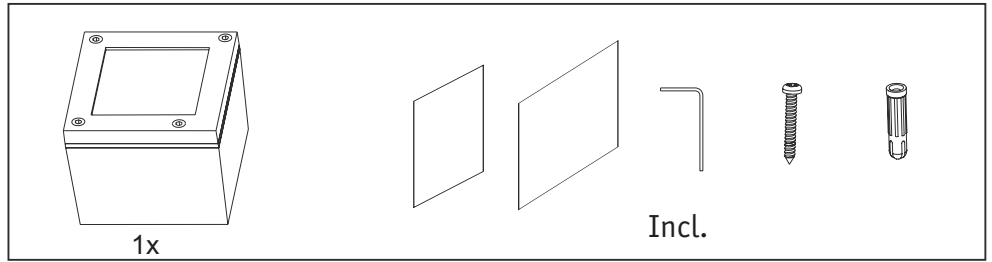
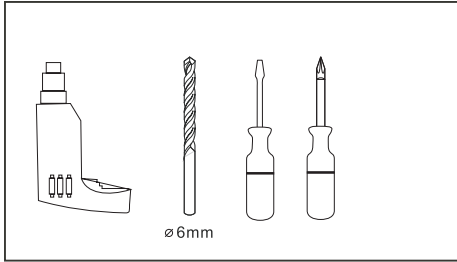
Fr. 7<sup>00</sup> - 17<sup>00</sup>

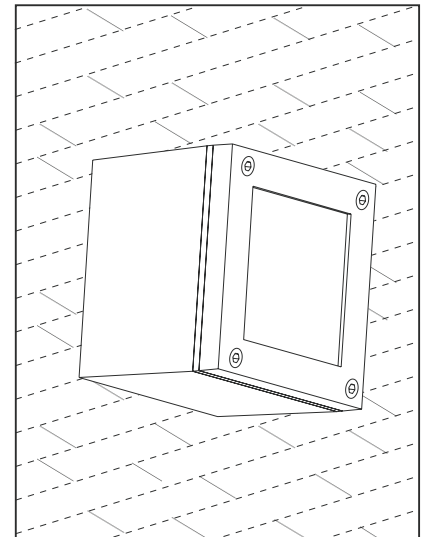
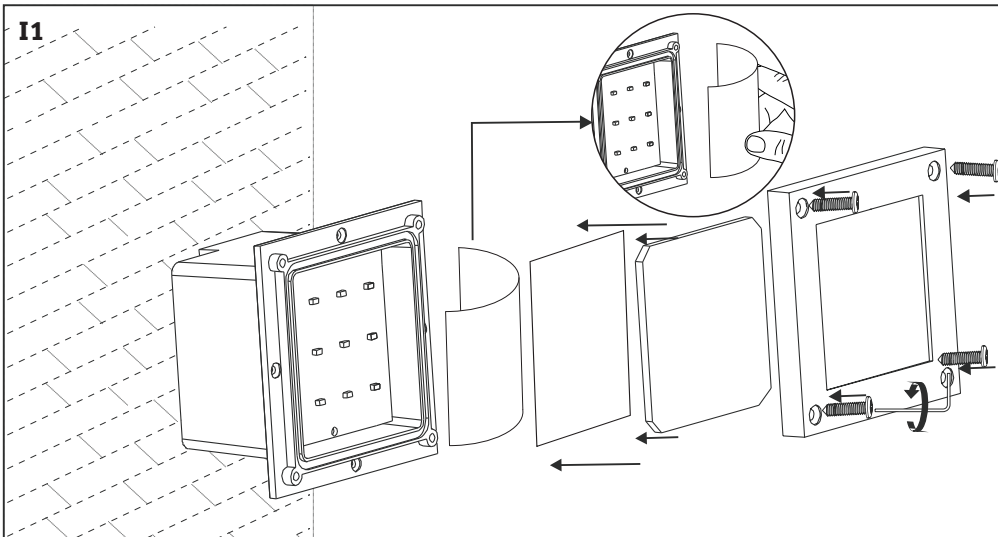
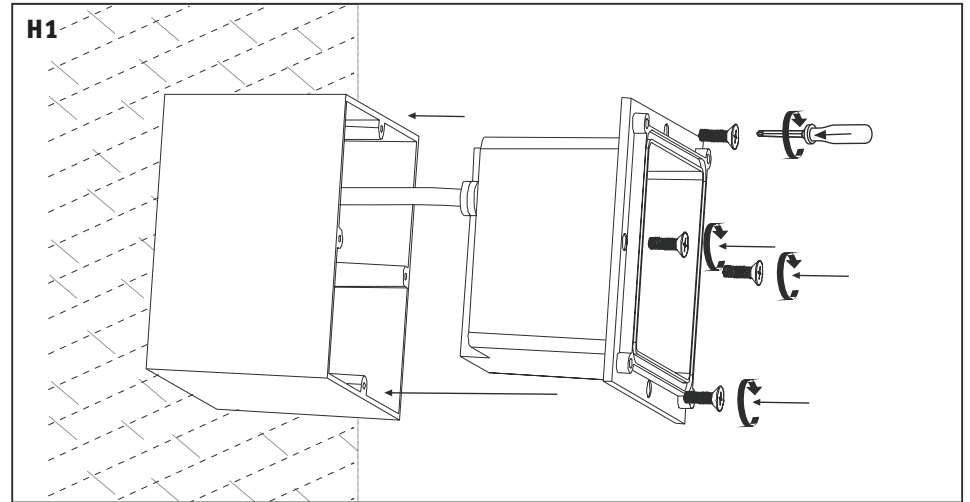
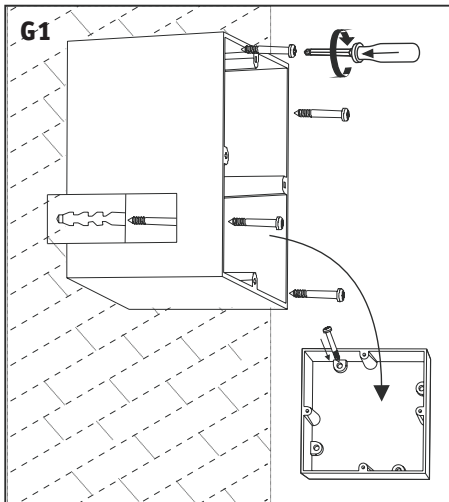
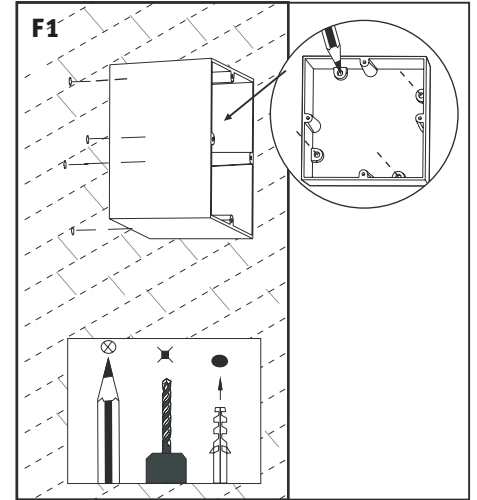
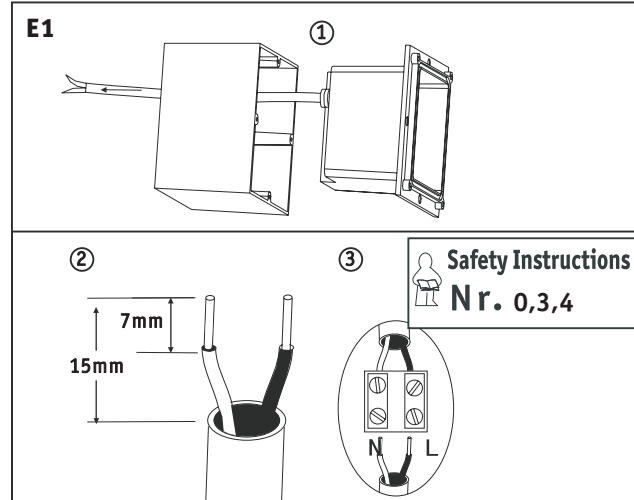
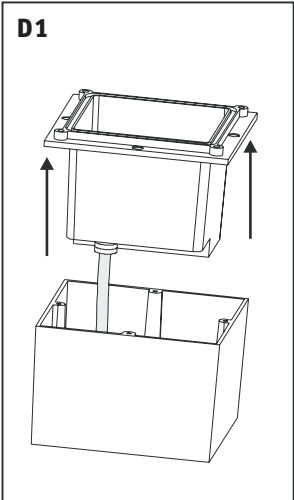
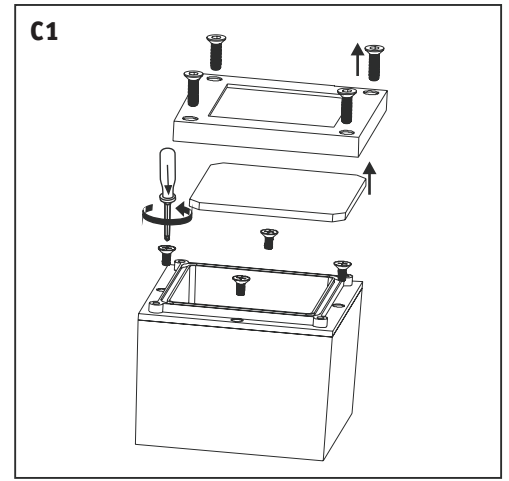
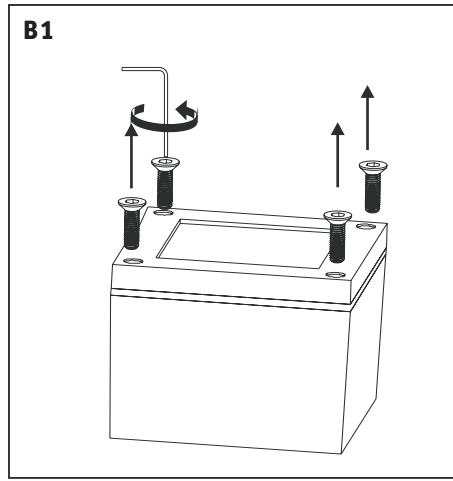
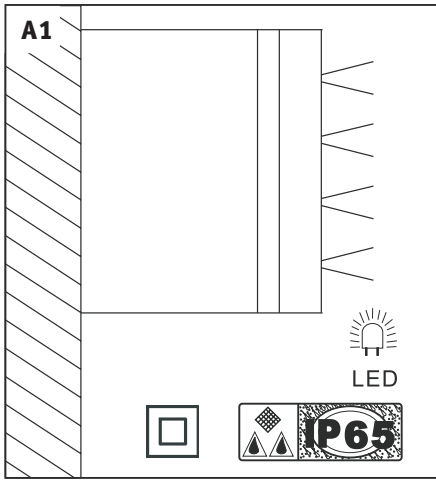
Paulmann Licht GmbH  
31832 Springe / Germany  
www.paulmann.com

Art.-Nr.:  
**994.88**

(+MA 173)

PSU 09/10








0,1,2,3,4,5,6,8,10,13,  
14,15,16,17,19,21



Info Hotline  **+49 (0) 5041 998 389**  
Mon. - Do. 7<sup>00</sup> - 20<sup>00</sup>  
Fr. 7<sup>00</sup> - 17<sup>00</sup>

Paulmann Licht GmbH  
31832 Springe / Germany  
www.paulmann.com

Art.-Nr.:  
**994.88**

(+MA 173)

PSU 09/10

