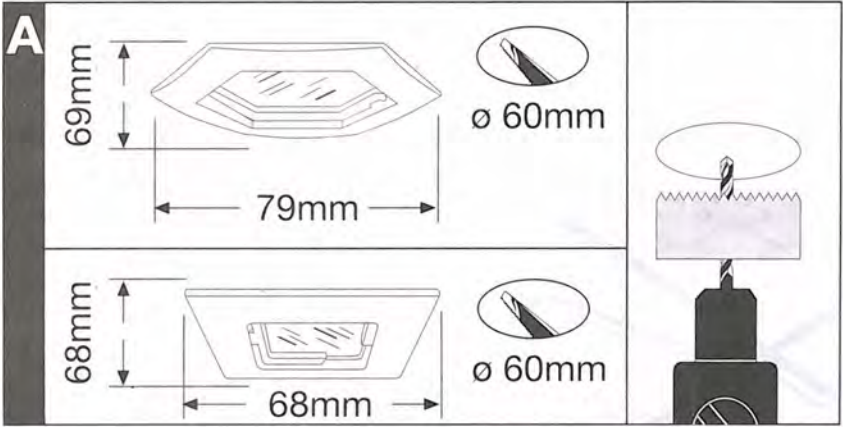
 **Safety Instructions**
0, 1, 2, 4, 5b, 7, 8, 9, 11, 12, 15,
16, 17, 19, 20, 21, 23, 25, 29

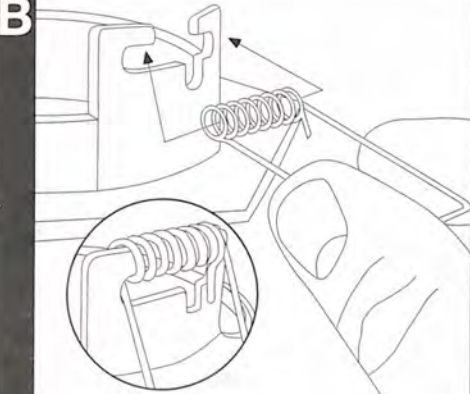
  **Paulmann Licht GmbH**
Quezinger Feld 2
D-31832 Springe
www.paulmann.com
☎ +49 (0) 5041 998 389
Mon. - Do. ☉ 7⁰⁰ - 20⁰⁰
Fr. ☉ 7⁰⁰ - 17⁰⁰

A

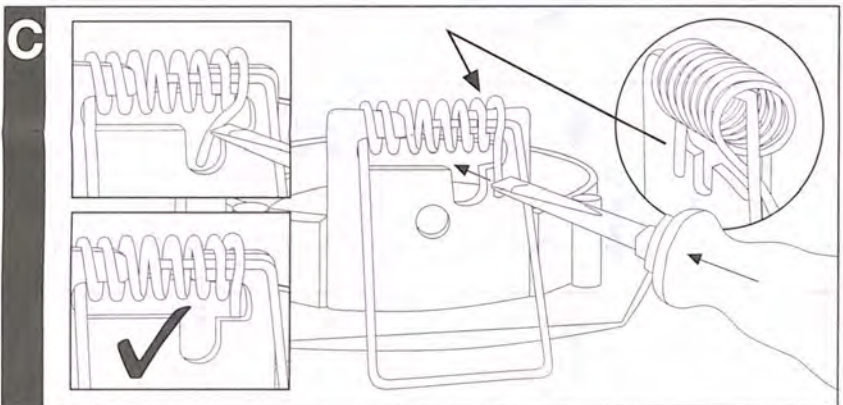


69mm
79mm
68mm
68mm
ø 60mm
ø 60mm

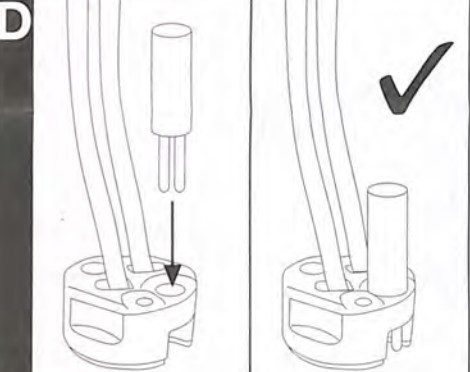
B



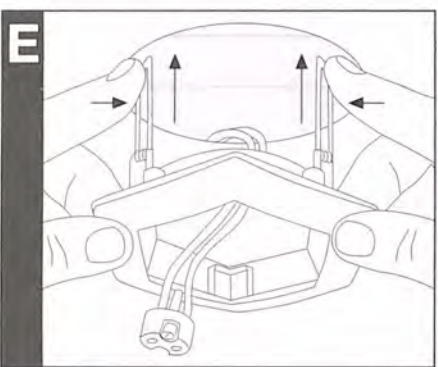
C



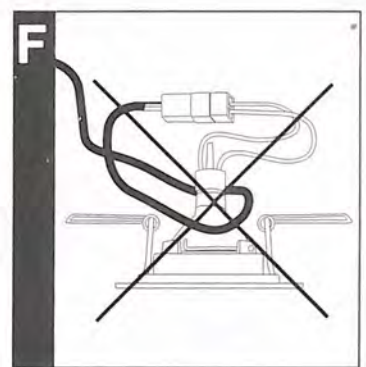
D



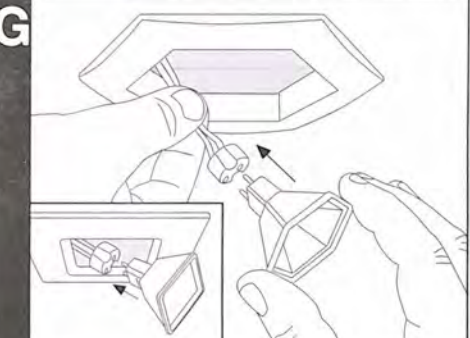
E



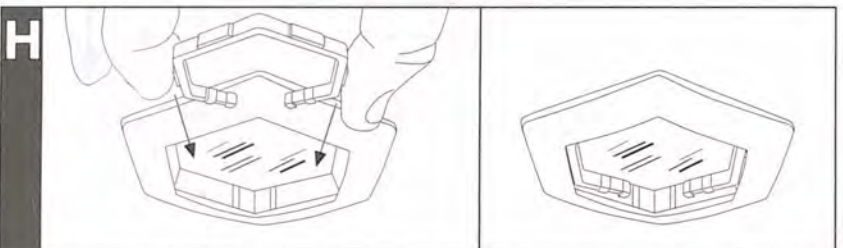
F



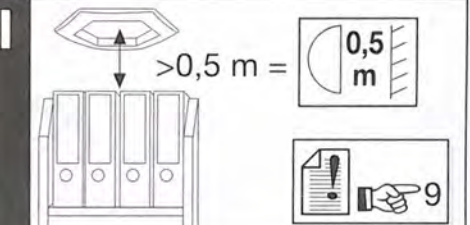
G




H

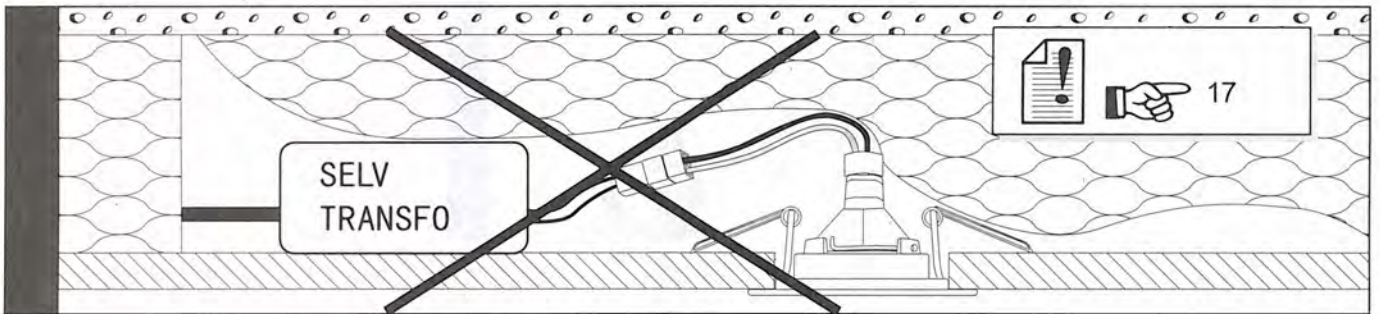
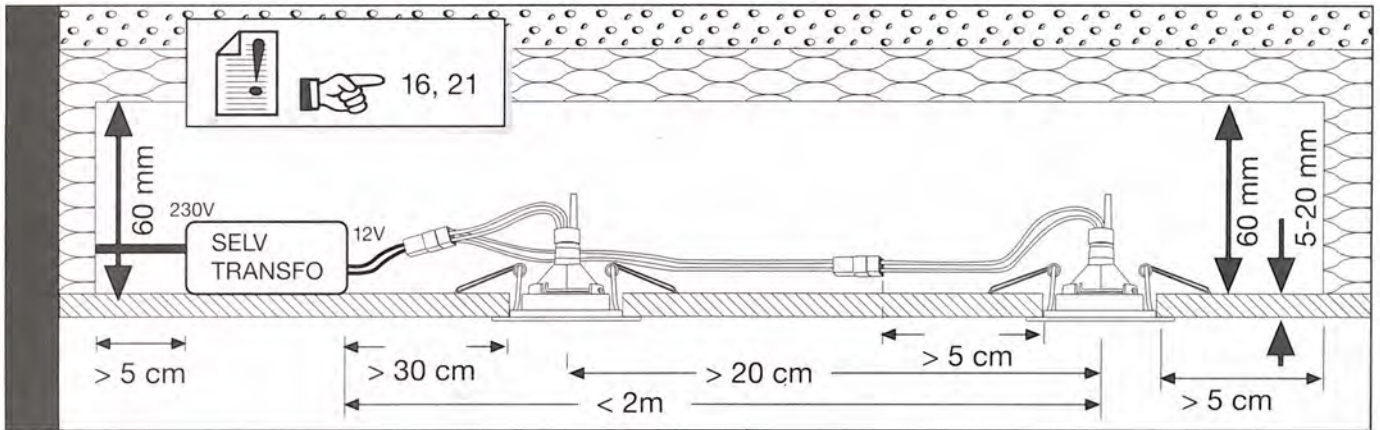


I



>0,5 m = 0,5 m





COOL BEAM Paulmann SECURITY	°C	20 % 80 %	Art. No. 20 W 37mm GU5,3 833.45 35 W 37mm GU5,3 833.46 20 W 51mm GU5,3 833.47 35 W 51mm GU5,3 833.48
	°C	60 % 40 %	

