

Safety Instructions



0,1,2,3,4,5b,7,8,9,11,12,15,
16,17,18,19,20,21,22,23

Info Hotline 

+49 (0) 5041 998 389

Mon. - Do. 7⁰⁰ - 20⁰⁰

Fr. 7⁰⁰ - 17⁰⁰



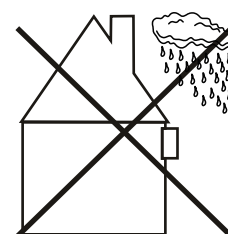
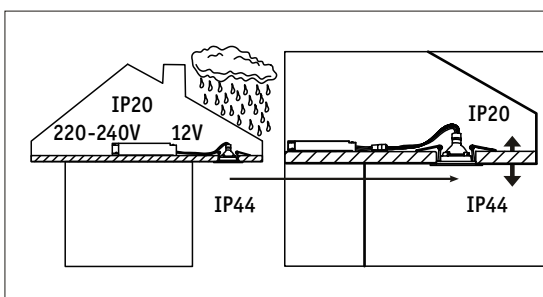
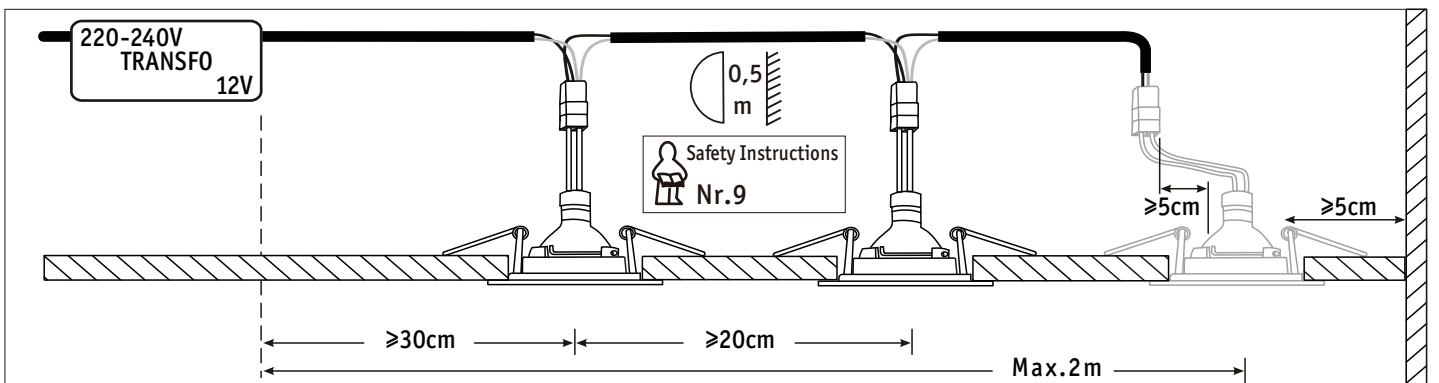
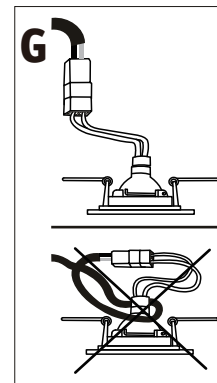
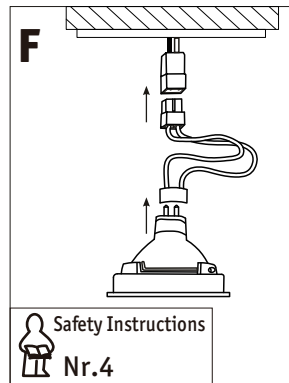
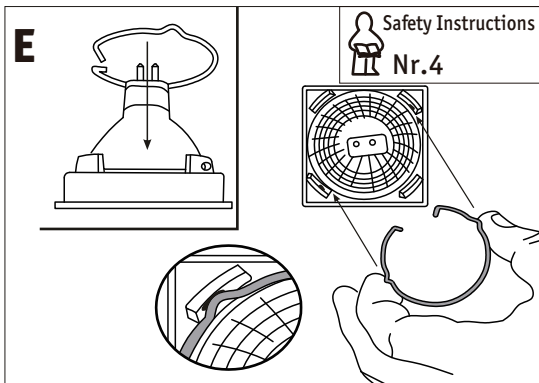
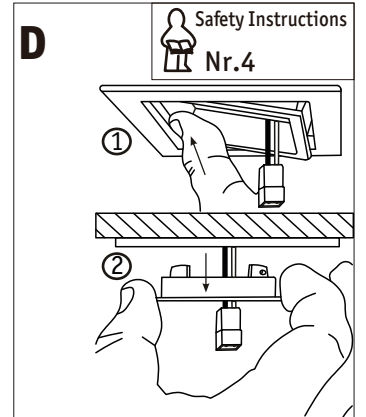
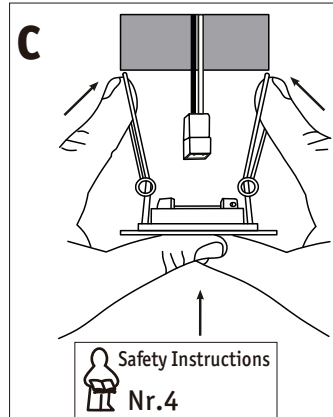
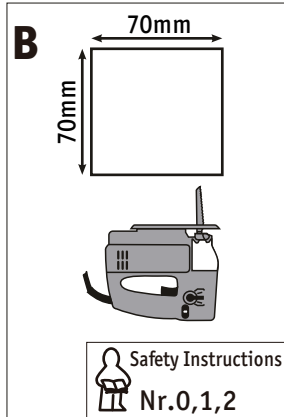
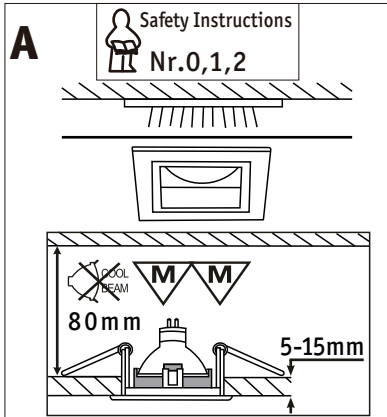
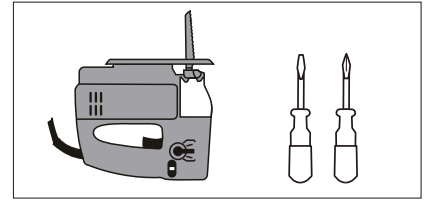
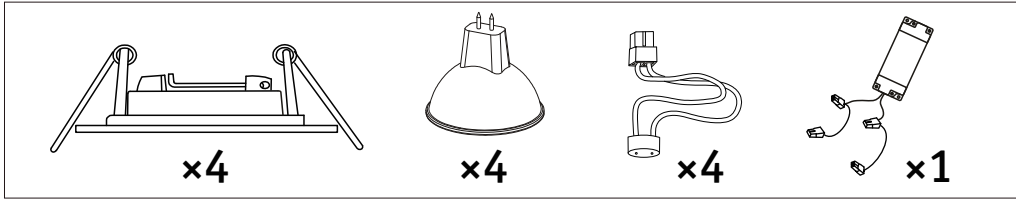
Paulmann Licht GmbH
31832 Springe / Germany
www.paulmann.com

Art.-Nr.:

507 000 270

(+MA 173)

PCL 05/09



35W
GU5,3 Ø51mm

Paulmann
Art.-Nr.: 832.31