



Safety Instructions



6, 7, 8, 9, 11, 15, 18, 20,
22, 27



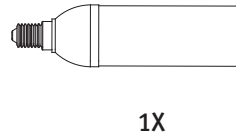
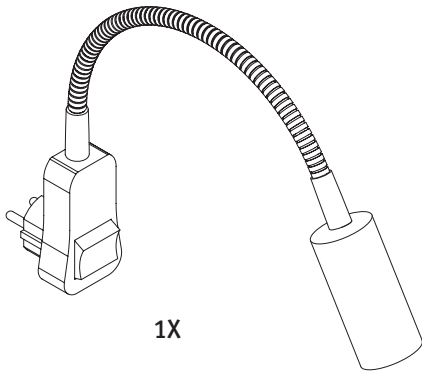
Info Hotline **+49 (0) 5041 998 389**
Mon. - Do. 7⁰⁰ - 20⁰⁰
Fr. 7⁰⁰ - 17⁰⁰

Paulmann Licht GmbH
31832 Springe / Germany
www.paulmann.com

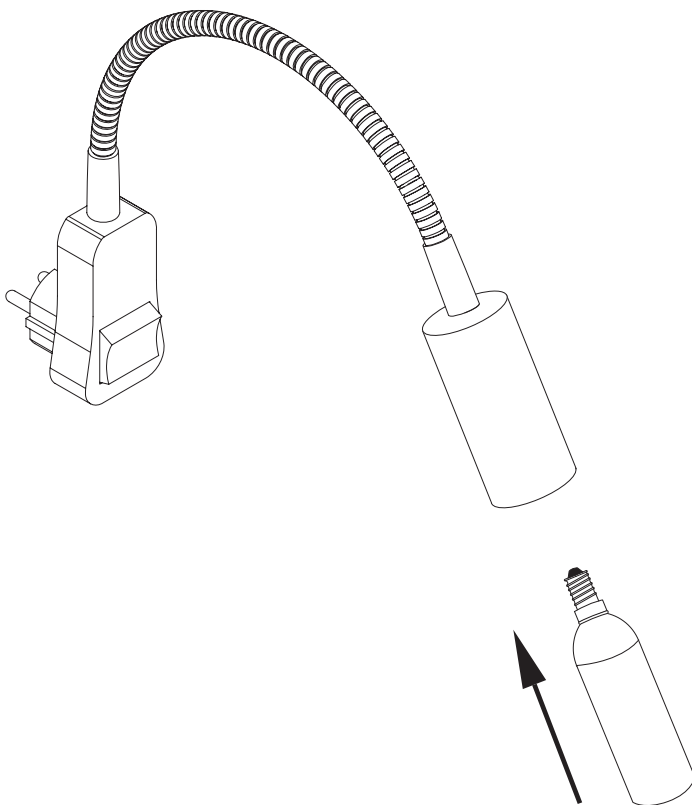
Art.-Nr.:
99694

(+MA 173)

PEA 09/09



A



B

