



Safety Instructions



6, 7, 8, 9, 11, 15, 18, 20, 22



Info Hotline

+49 (0) 5041 998 389

Mon. - Do. 7⁰⁰ - 20⁰⁰

Fr. 7⁰⁰ - 17⁰⁰

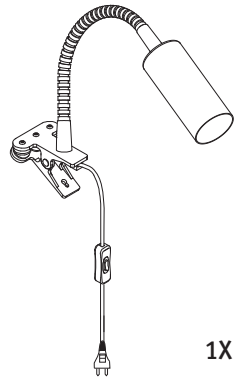


Paulmann Licht GmbH
31832 Springe / Germany
www.paulmann.com

Art.-Nr.:
99695

(+MA 173)

PEA 06/09

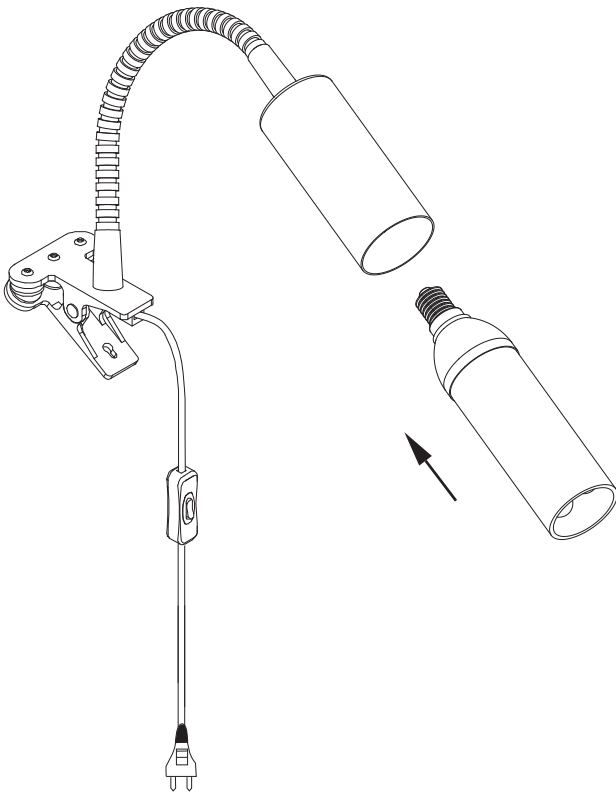


1X

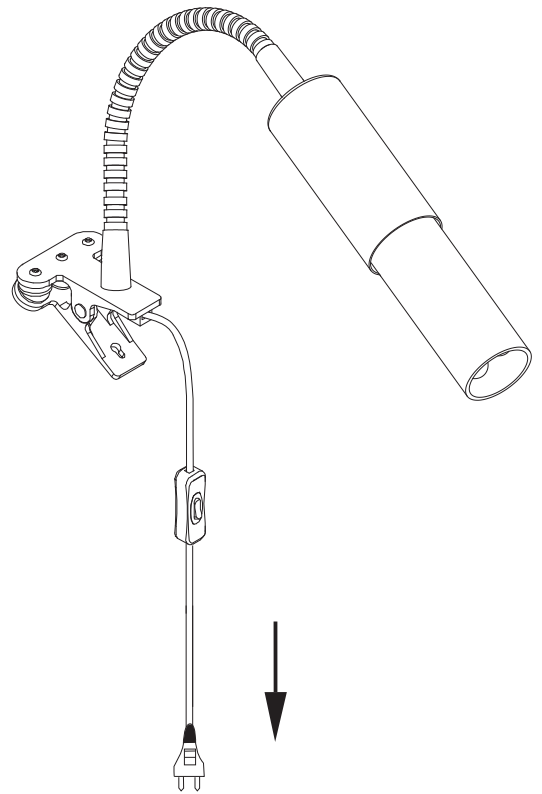


1X

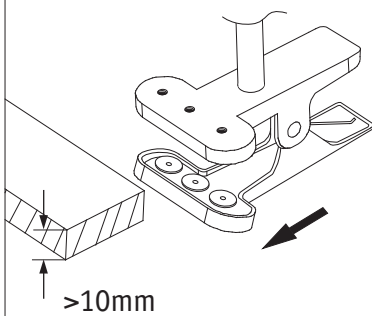
A



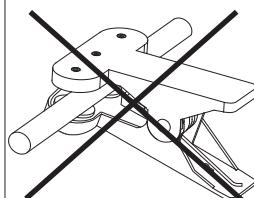
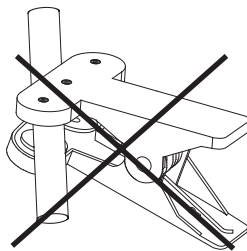
B



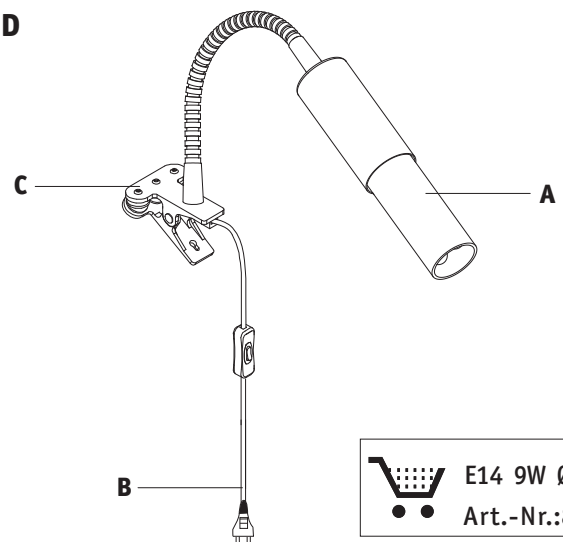
C



>10mm



D



E14 9W Ø38mm
Art.-Nr.:894.09