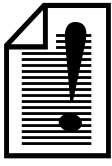


99778  
(+MA 173)

**Paulmann**

SAFETY INSTRUCTIONS



### SAFETY INSTRUCTIONS



0, 1, 2, 6, 10, 11, 15, 18, 25, 27,

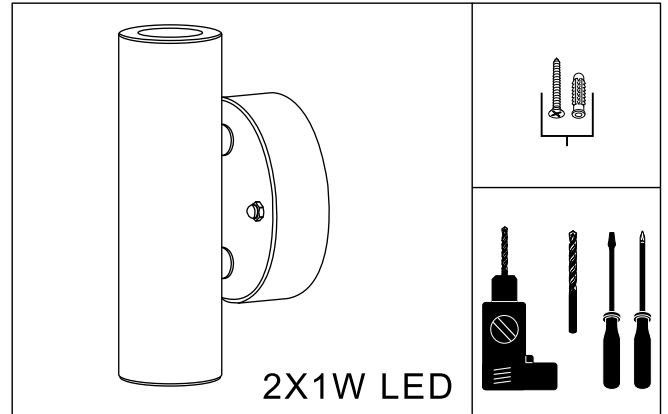


**PAULMANN LICHT GmbH**  
Quezinger Feld 2 • D-31832 Springe  
[www.Paulmann.com](http://www.Paulmann.com)

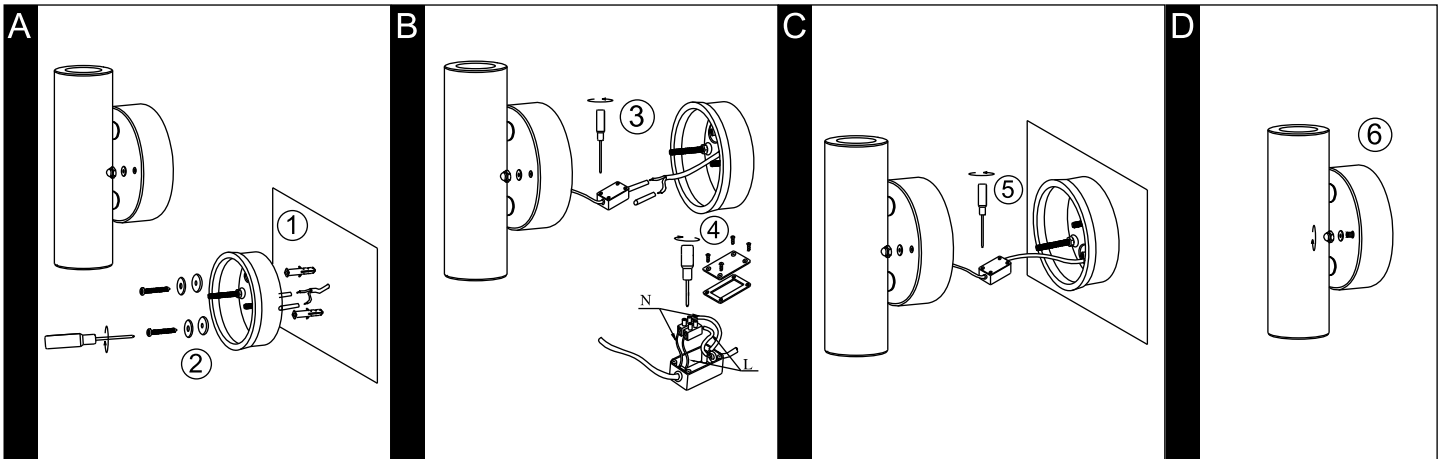
+49 (0) 5041 998 389

7<sup>00</sup>-20<sup>00</sup>

Mon. - Fri.



2X1W LED



### Drilling JIG

