

SAFETY INSTRUCTIONS



SAFETY INSTRUCTIONS

0,1,4,6,7,8,9,11,15,20,22,



INFO-LINE

PAULMANN LICHT GmbH
Quezinger Feld 2 • D-31832 Springe
www.Paulmann.com

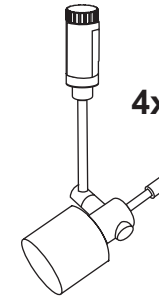
+49 (0) 5041 998 389

7⁰⁰ - 20⁰⁰

Mon. - Fri.



1x

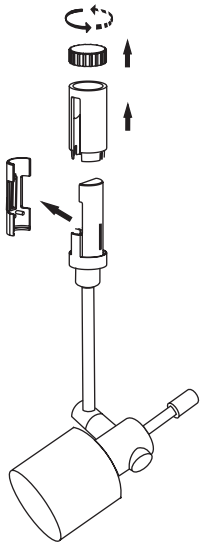


4x

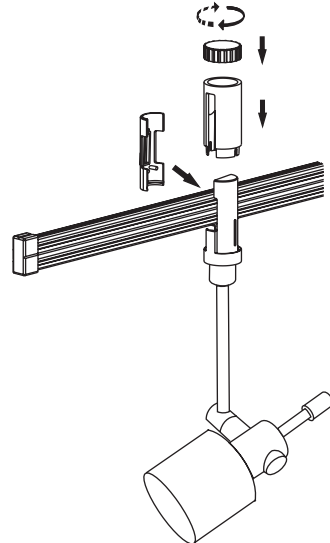


5x

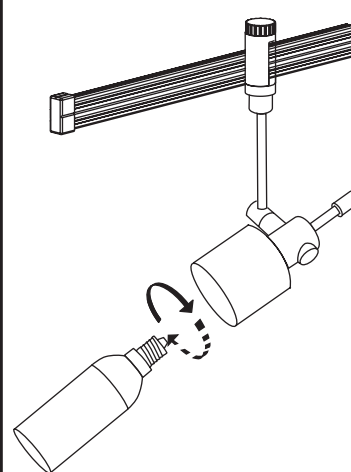
A



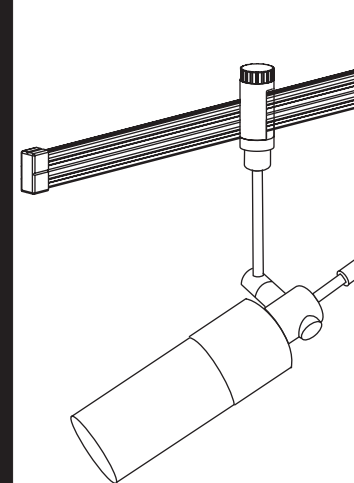
B



C



D



E

