



Safety Instructions



0, 1, 2, 3, 4, 6, 7, 8, 9, 11, 15, 18, 20, 22, 25, 26, 27



Info Hotline +49 (0) 5041 998 389

Mon. - Do. 7⁰⁰ - 20⁰⁰

Fr. 7⁰⁰ - 17⁰⁰

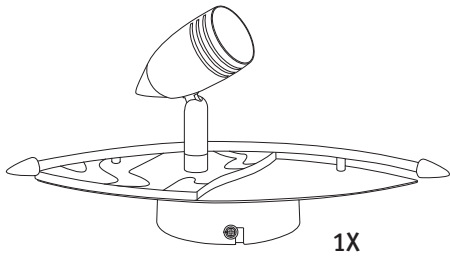
Paulmann Licht GmbH
31832 Springe / Germany
www.paulmann.com

Art.-Nr.:

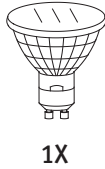
66211

(+MA 173)

PEA 08/09



1X



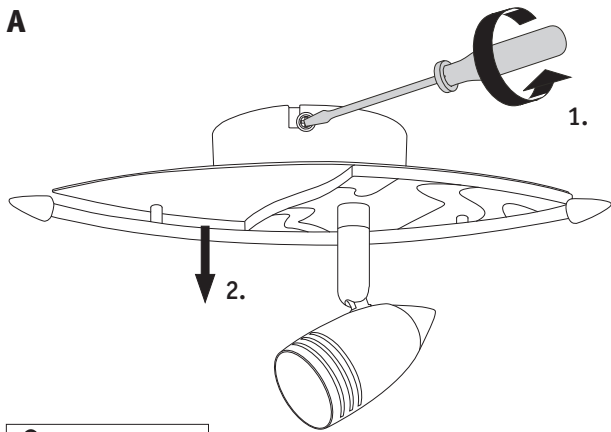
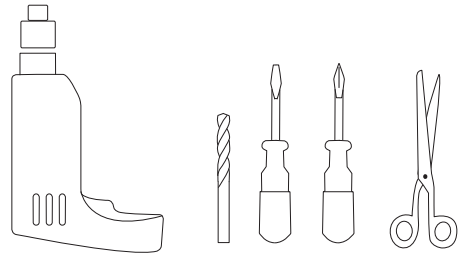
1X



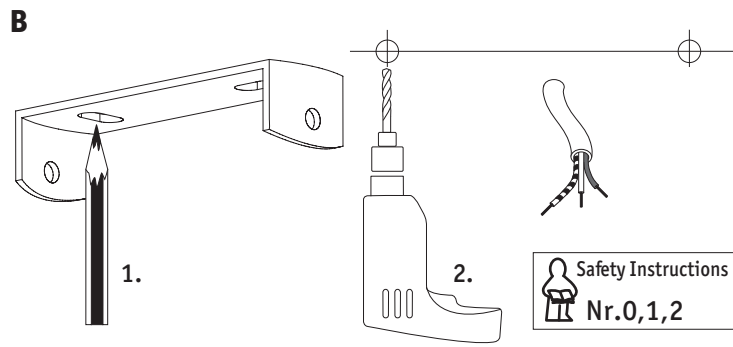
2X



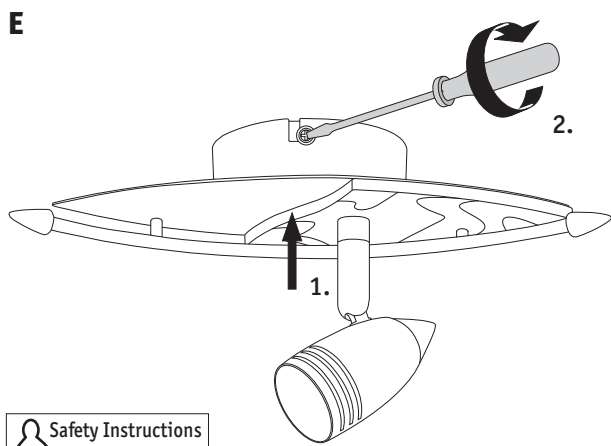
2X



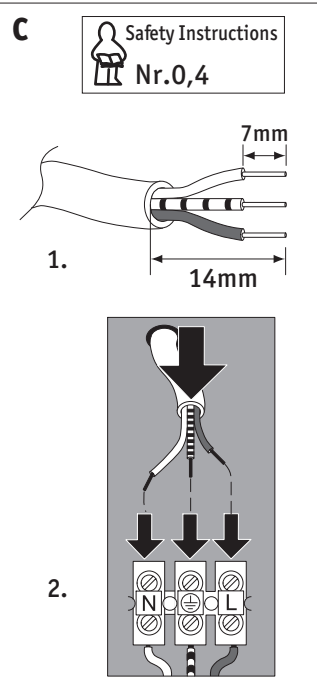
Safety Instructions
Nr. 0,1,2



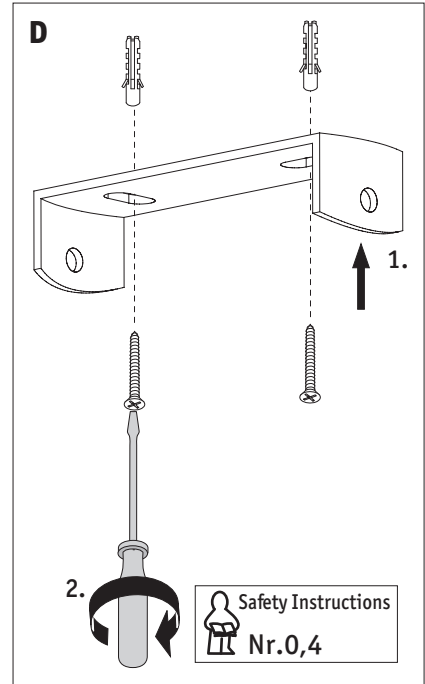
Safety Instructions
Nr. 0,1,2



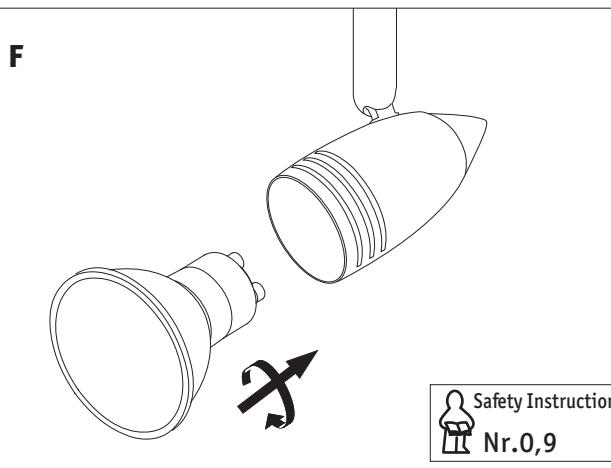
Safety Instructions
Nr. 0,4



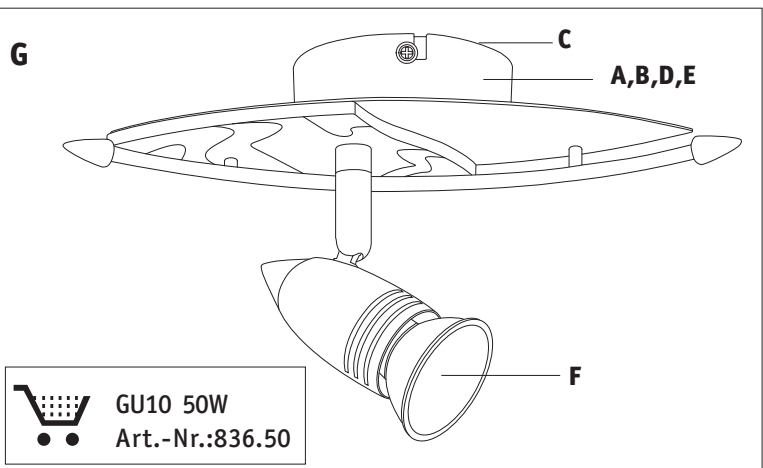
Safety Instructions
Nr. 0,4



Safety Instructions
Nr. 0,4



Safety Instructions
Nr. 0,9



GU10 50W
Art.-Nr.: 836.50