



Safety Instructions



0, 1, 2, 4, 6, 7, 8, 9, 11, 15, 22, 25, 27



Info Hotline

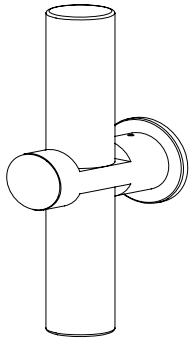
+49 (0) 5041 998 389
Mon. - Do. 7⁰⁰ - 20⁰⁰
Fr. 7⁰⁰ - 17⁰⁰

Paulmann Licht GmbH
31832 Springe/Germany
www.paulmann.com

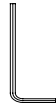
Art.-Nr.:
70147

(+MA 173)

PSP 03/10



Incl.



X1



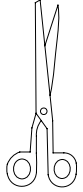
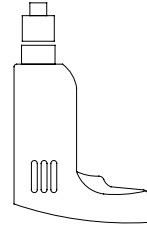
X2



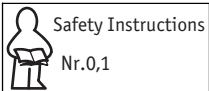
X2



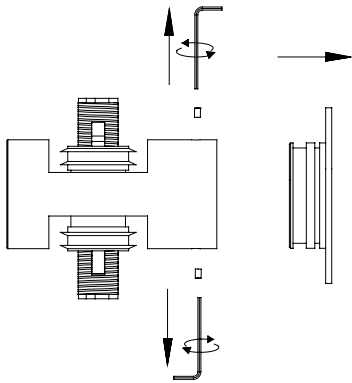
X2



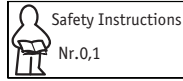
A



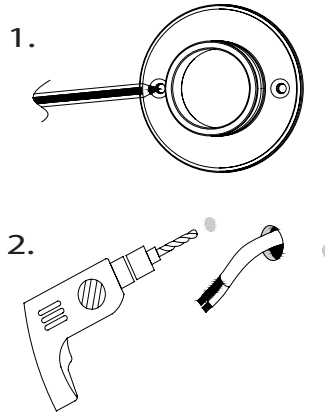
Safety Instructions
Nr.0,1



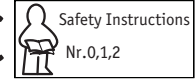
B



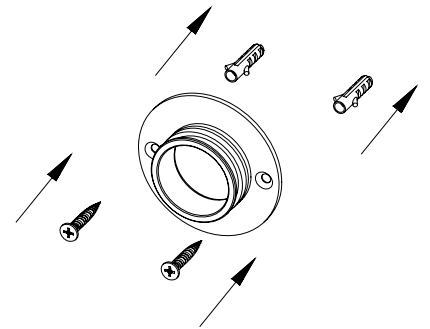
Safety Instructions
Nr.0,1



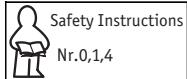
C



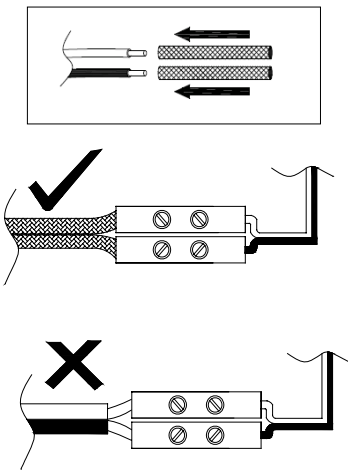
Safety Instructions
Nr.0,1,2



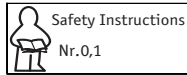
D



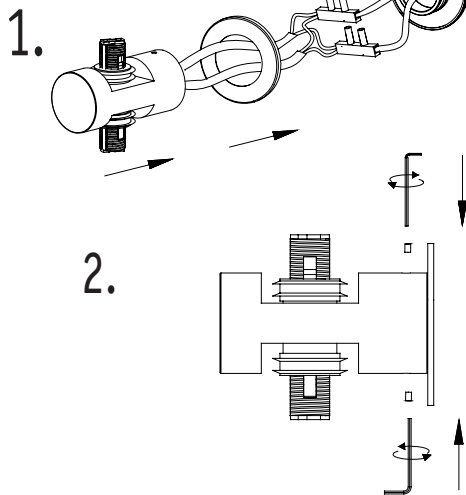
Safety Instructions
Nr.0,1,4



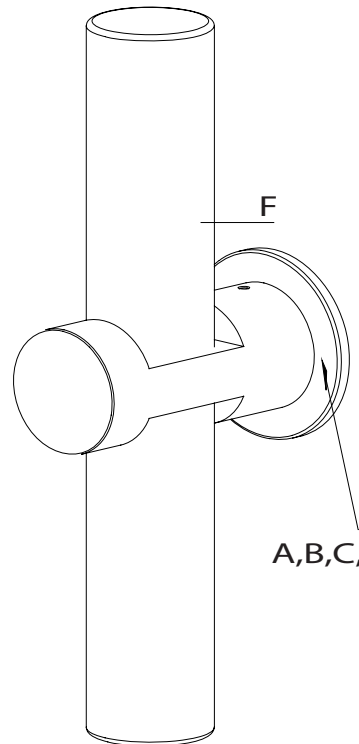
E



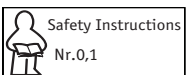
Safety Instructions
Nr.0,1



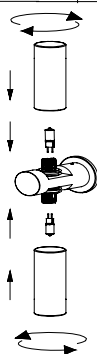
G



F



Safety Instructions
Nr.0,1



A,B,C,D,E