



Safety Instructions



0, 1, 2, 4, 6, 7, 8, 9, 11, 15, 17, 20, 22



+49 (0) 5041 998 389

Mon. - Do. 7⁰⁰ - 20⁰⁰

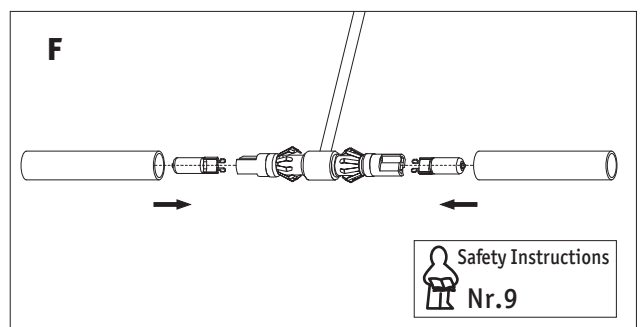
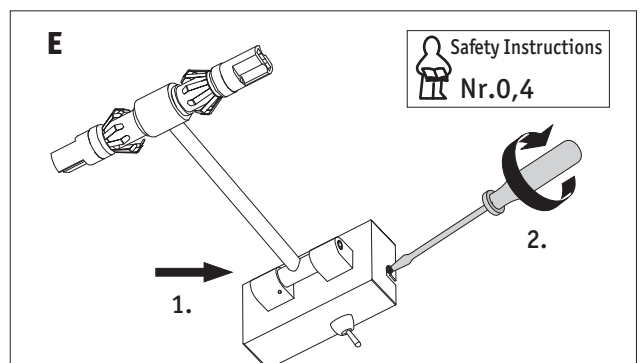
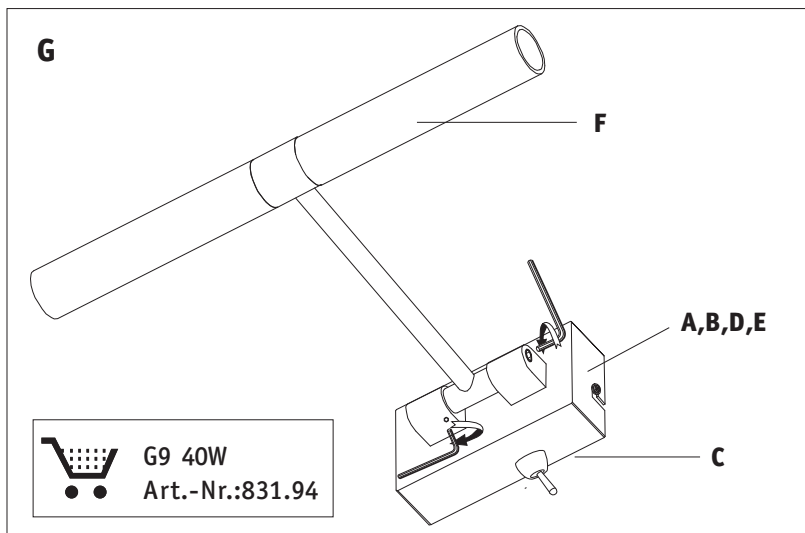
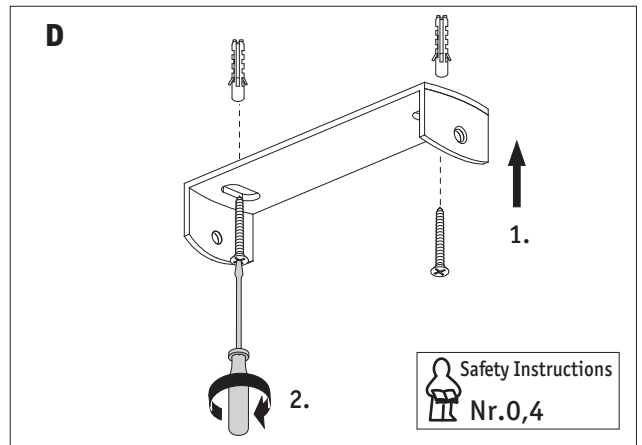
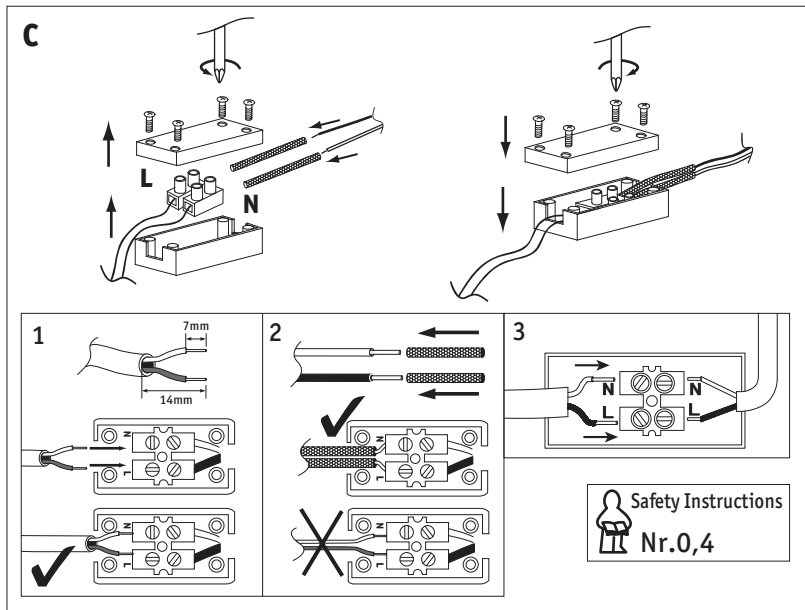
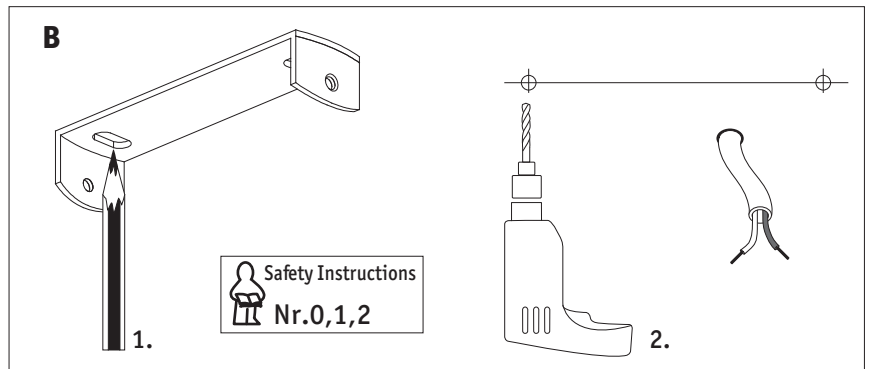
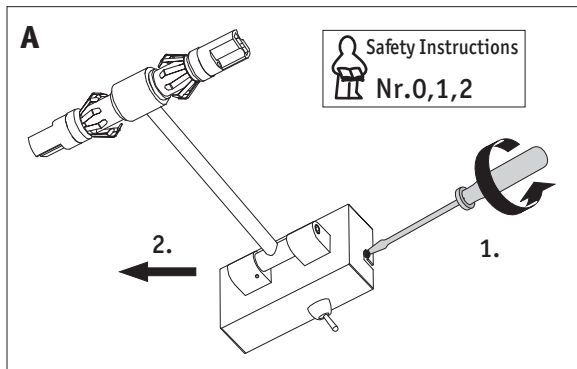
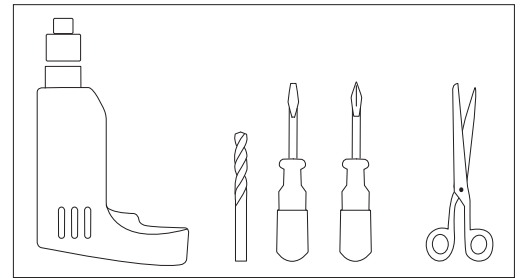
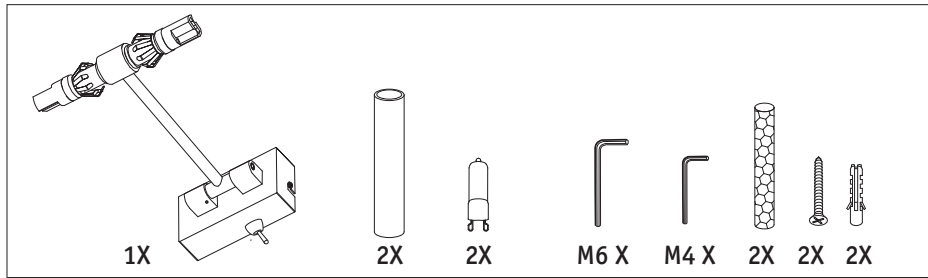
Fr. 7⁰⁰ - 17⁰⁰

Paulmann Licht GmbH
31832 Springe / Germany
www.paulmann.com

Art.-Nr.:
99681

(+MA 173)

PEA 09/09



G9 40W
Art.-Nr.:831.94